

Fact sheet

Danfoss Universal Quick Disconnect (UQD)

One partner, every solution



Danfoss UQD is specifically designed for liquid cooling applications in data centers. UQD designed in 4 different sizes and available in 2 color options. This product is OCP complied and meet the UQD specification. Offered with color identification (Red and Blue). All parts are 100 % helium leak tested.

Danfoss has a **comprehensive portfolio of premium fluid conveyance products** to meet your thermal management system needs.

Features and benefits

- The design meets the OCP functional and dimensional specification per OCP's UQD rev 1.0
- Push-to-connect design
- High flow and no spillage
- Exceeds OCP flow ratings to deliver best in class performance
- Best in class force to connect

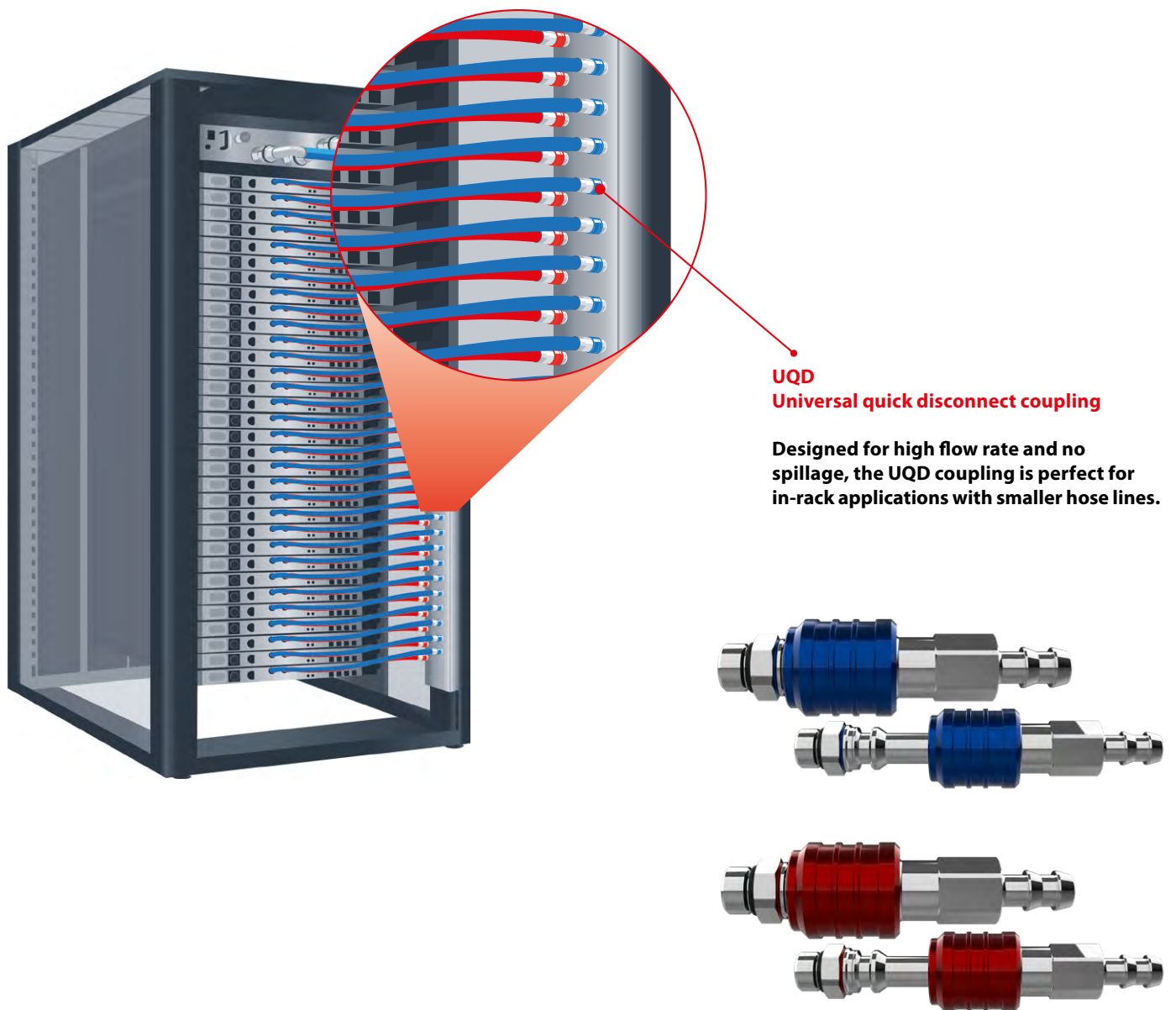
Material and technical parameters

- Wetted parts SS303/SS304,
- Sleeve color anodized aluminum (Red/Blue), EPDM seal
- Color identification (Red/Blue) – O-ring on plug and colored sleeve on socket
- Terminal ends - ISO 11926-3 ORB end on male end and push on hose on socket end. Additional thread configurations available upon request
- Operating temperature range: -40°C to 150 °C
- Typical working pressure: 6.9 Bar

Solutions to your **liquid cooling challenges**

Inner Rack Solutions

Danfoss' direct-to-chip cooling solutions extend into the racks through efficient routing of flexible, kink-free hoses, and leak free, helium-tested couplings.



UQD
Universal quick disconnect coupling

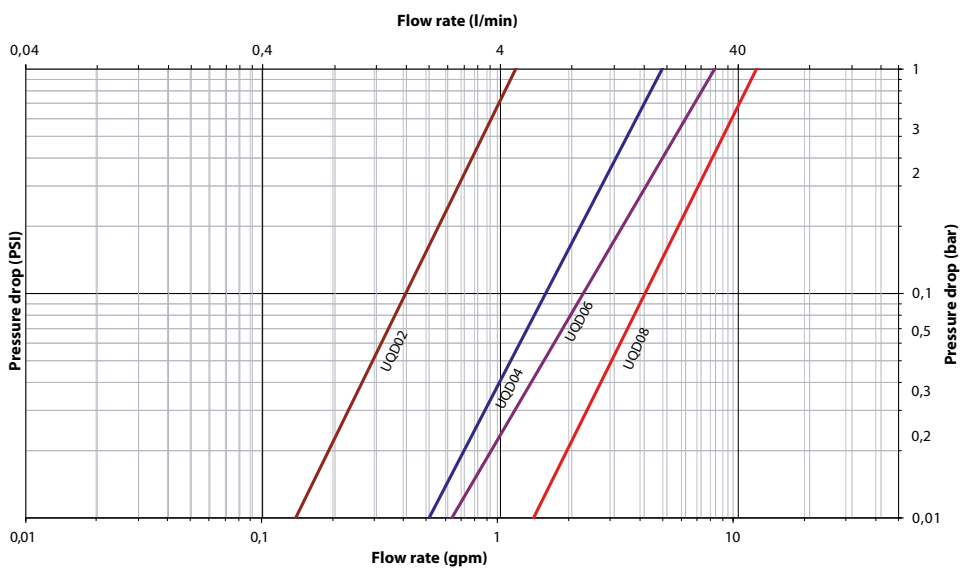
Designed for high flow rate and no spillage, the UQD coupling is perfect for in-rack applications with smaller hose lines.

Fact sheet | Danfoss Universal Quick Disconnect (UQD)

Performance parameters

Size	Max operating pressure						Min burst pressure						Performance parameters						
	Connected		Socket /Female Half		Plug / Male Half		Connected		Socket /Female Half		Plug / Male Half		Rated Flow		Fluid Loss	Force to connect		Cv Value	Hose Tail End / Barb End
	Bar	PSI	Bar	PSI	Bar	PSI	Bar	PSI	Bar	PSI	Bar	PSI	LPM	GPM	CC. Max	N	Lb		Dash size
UQD02	20	290	20	290	20	290	60	870	60	870	60	870	2,1	0,55	0,020	38,27	8,60	0,33	-4
UQD04	16	232	16	232	16	232	48	696	48	696	48	696	6,4	1,7	0,025	45,09	10,14	1,37	-6
UQD06	6,9	100	6,9	100	6,9	100	20,7	300	20,7	300	20,7	300	11,4	3	0,035	58,42	13,13	2,48	-8
UQD08	6,9	100	6,9	100	6,9	100	20,7	300	20,7	300	20,7	300	17,8	4,7	0,070	69	15,51	4,15	-10

Pressure Drop Vs Flow Charts

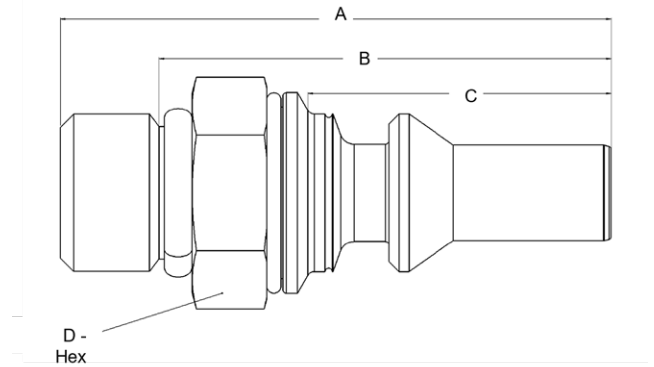
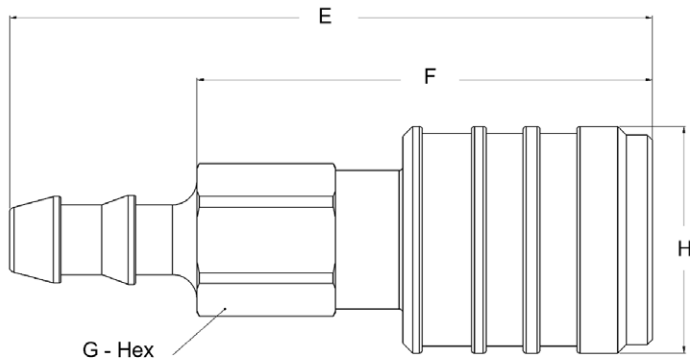


Cv
Flow coefficient defined as $Cv = Q / \sqrt{\Delta P}$, where Q is flow rate in gallons/min (GPM) and ΔP is pressure drop in lbs/in² (psi) for water at 60 degrees F

Water at 60°F

Socket

Plug



Physical parameters

Part number*	Coupling Type	Fig.	Port size	Thread	Type	A		B		C		D-HEX		E		F		G-HEX		H	
						mm	Inch	mm	Inch	mm	Inch	mm	Inch	mm	Inch	mm	Inch	mm	Inch	mm	Inch
2UQP250RMRD	Plug / Male	1	-4	7/16-20	Male ORB Light Duty	38,4	1,51	29,3	1,15	21	0,83	14	0,55								
2UQS25MHARD	Socket / Female	2	-4	Barb End	Push on									65,2	2,57	46,2	1,82	14	0,55	23	0,91
4UQP370RMRD	Plug / Male	1	-6	9/16-18	Male ORB Light Duty	47,9	1,89	37,9	1,49	29	1,14	17	0,67								
4UQS37MHARD	Socket / Female	2	-6	Barb End	Push on									82,7	3,26	60,7	2,39	18	0,71	28,7	1,13
6UQP500RMRD	Plug / Male	1	-8	3/4-16	Male ORB Light Duty	52,7	2,07	41,6	1,64	32,5	1,28	22	0,87								
6UQS50MHARD	Socket / Female	2	-8	Barb End	Push on									86,9	3,42	61,1	2,41	22	0,87	31,7	1,25
8UQP620RMRD	Plug / Male	1	-10	7/8-14	Male ORB Light Duty	60,3	2,37	47,6	1,87	36,5	1,44	27	1,06								
8UQS62MHARD	Socket / Female	2	-10	Barb End	Push on									107,4	4,23	39	1,54	27	1,06	35	1,38

*All part numbers listed are for red color coding (RD suffix), if blue color coding required use BL suffix(i.e. 2UQP250RMBL). Additional configurations available for quote.



签约经销商：信德迈科技（北京）有限公司
 北京朝阳区望京 SOHO-T1-C 座 2115 室 邮编：100102
 手机：139 1096 2635 电子邮件：sales@cnmec.biz