
GARDNER DENVER®

3-1-519
3rd Edition
March, 1997

TRIPLEX PLUNGER PUMP

8" STROKE

MODEL

TGH__A

PARTS LIST

Gardner

Denver

MAINTAIN PUMP RELIABILITY AND PERFORMANCE WITH GENUINE GARDNER DENVER PARTS AND SUPPORT SERVICES

Gardner Denver[®], AJAX[®], and OPI[®] genuine pump parts are manufactured to original tolerances and designed for optimum dependability. Design and material innovations are the result of years of experience with hundreds of different pump applications. Reliability in materials and quality assurance are incorporated in our genuine replacement parts.

Your authorized Gardner Denver, AJAX and OPI distributor offers all the backup you'll need. A worldwide network of authorized distributors provides the finest product support in the pump industry.

Your local authorized distributor maintains a large inventory of genuine parts and he is backed up for emergency parts by direct access to the Gardner Denver Machinery Inc. Master Distribution Center (MDC) in Memphis, Tennessee.

Your authorized distributor can support your Gardner Denver, AJAX and OPI pump needs with these services:

1. Trained parts specialists to assist you in selecting the correct replacement parts.
2. A full line of factory tested pump lubricants specifically formulated for use in Gardner Denver, AJAX and OPI pumps.
3. Repair and maintenance kits designed with the necessary parts to simplify servicing your pump.

Authorized distributor service technicians are factory-trained and skilled in pump maintenance and repair. They are ready to respond and assist you by providing fast, expert maintenance and repair services.

For the location of your local authorized Gardner Denver, AJAX and OPI distributor refer to the yellow pages of your phone directory or contact:

Distribution Center:
Gardner Denver Machinery Inc.
Master Distribution Center
5585 East Shelby Drive
Memphis, TN 38141
Phone: (901) 542-6100
Fax: (901) 542-6159

Factory:
Gardner Denver Machinery Inc.
1800 Gardner Expressway
Quincy, IL 62301
Phone: (217) 222-5400
Fax: (217) 224-7814

INSTRUCTIONS FOR ORDERING REPAIR PARTS

When ordering parts, specify Pump MODEL and SERIAL NUMBER (see nameplate on unit). The Serial Number is also stamped on top of the cylinder end of the frame (cradle area).

All orders for Parts should be placed with the nearest authorized distributor.

Where NOT specified, quantity of parts required per pump or unit is one (1); where more than one is required

per unit, quantity is indicated in parenthesis. **SPECIFY EXACTLY THE NUMBER OF PARTS REQUIRED.**

DO NOT ORDER BY SETS OR GROUPS.

To determine the Right Hand and Left Hand sides of a pump, stand at the power end and look toward the fluid end. Right Hand and Left Hand are indicated in parenthesis following the part name, i.e. (RH) & (LH), when appropriate.

TABLE OF CONTENTS

	Page
Maintain Pump Reliability and Performance with Genuine Gardner Denver Parts and Support Services	1
Instructions For Ordering Repair Parts	1
Matrix/Menu	3
Frame & Miscellaneous Parts	4
Eccentric Group	5
Lubricating Oil Pump Piping, Heat Exchanger and Filter	6, 7
Oil Circulating Pump	8
Oil Filter	9
Connecting Rod	10
Jackshaft and Bearing Group	11
Crosshead, Extension Rod and Oil Stop Head Group	12
Fluid Cylinder (HP Block Steel) – (Well Servicing or Drilling)	13
Steel Center–Guided Valve with Urethane Insert (Standard Equipment)	14
Steel Center–Guided Valve with Rubber Insert (Optional)	15
Gear Reducer Group	16, 17
Stuffing Box and Plungers	18, 19
Piston Rod, Piston and Liner	20, 21
Crosshead Lubrication Piping	22
Lubricator Group (Optional Equipment)	23
Piston Lubricating Pump and Piping	24
Piston Lubricating Pump and Piping – Models TGHA_A and TGHC_A	25
Plunger Washing Parts (Optional Equipment)	26
Plunger Washing Parts (Optional Equipment)	27
Piston Lubricating Pump	28
Crosshead Pin Bushing Puller (Optional Equipment)	29
Valve Seat Puller (Optional Equipment)	29

For Operating and Service Instructions see:

SERVICE MANUAL 3–1–610

**MODEL TGH – 8” STROKE TRIPLEX PLUNGER PUMP
MATRIX/MENU**

NOTICE TO CUSTOMER – To find the construction options for your PUMP unit, FILL IN THE BALANCE OF LETTERS OR NUMBERS FROM THE UNIT NAMEPLATE.

COLUMN NUMBER:

T	G	H	A								
1	2	3	4	5	6	7	8	9	10	11	12

Follow the line down and over from each space thus filled in to find the appropriate construction option with which your machine is equipped. The number “9” in any column space indicates “NOT APPLICABLE.” The number “8” in any column space indicates SPECIAL DESIGN – REFER TO FACTORY ORDER TICKET.

COLUMNS 1, 2 & 3 – BASIC FAMILY
Triplex Plunger Pump – 8” Stroke

COLUMN 4 – TYPE OF SERVICE, TYPE & MAXIMUM SIZE
FLUID END, CONSTRUCTION

- A. Well Service – HP Block Steel – 5” Maximum Piston and Liner
- B. Well Service – HP Block Steel – 4-1/2” Maximum Plunger & Packing
- C. Drilling Service – HP Block Steel – 5” Maximum Piston & Liner
- D. Drilling Service – HP Block Steel – 4-1/2” Maximum Plunger & Packing

COLUMN 5 – SIZE SELECTIVE

- A. 5” (5” Max. Size Only)
- B. 4-1/2” (All Sizes)
- C. 4” (All Sizes)
- D. 3-1/2” (5” & 4-1/2” Drilling Services Only)
- E. 3-1/4” (5” Drilling Services Only) (Piston Only)
- F. 3” (5” Drilling Services Only) (Piston Only)

COLUMN 6 – DESIGN VERSION

COLUMN 7 – STUFFING BOX OR LINER MATERIAL SELECTIVE

- A. Nodular Iron – Stuffing Box
- B. Chrome Plated – Liner

COLUMN 8 – PLUNGER MATERIAL OR PISTON TYPE SELECTIVE

- A. Colmonoy – Plunger
- B. Steel – Insert Type Piston

COLUMN 9 – PACKING TYPE SELECTIVE

- A. 838 Style – Nonadjustable (Standard Drilling Service)
- B. 1067 Style – Nonadjustable (Standard Well Service)

COLUMN 10 – FLUID VALVE SELECTIVE (SUCTION & DISCHARGE)

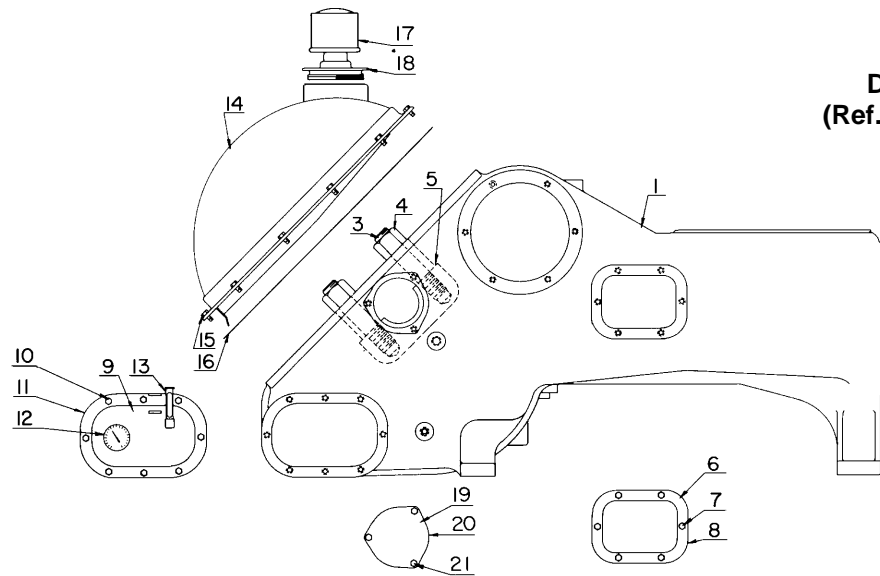
- A. Steel – Center Guided Type with Urethane Insert (Standard)
- C. Steel – Center Guided Type with Rubber Insert

COLUMN 11 – GEAR REDUCTION SELECTION

- | | |
|--------------------------|--------------------------|
| (Right Hand Drive) | (Left Hand Drive) |
| A. 10.15 to 1 Gear Ratio | E. 10.15 to 1 Gear Ratio |
| B. 8.41 to 1 Gear Ratio | F. 8.41 to 1 Gear Ratio |
| C. 6.81 to 1 Gear Ratio | G. 6.81 to 1 Gear Ratio |
| D. 5.73 to 1 Gear Ratio | H. 5.73 to 1 Gear Ratio |

COLUMN 12 OPTIONAL EQUIPMENT SELECTIVE

D76258
(Ref. Drawing)

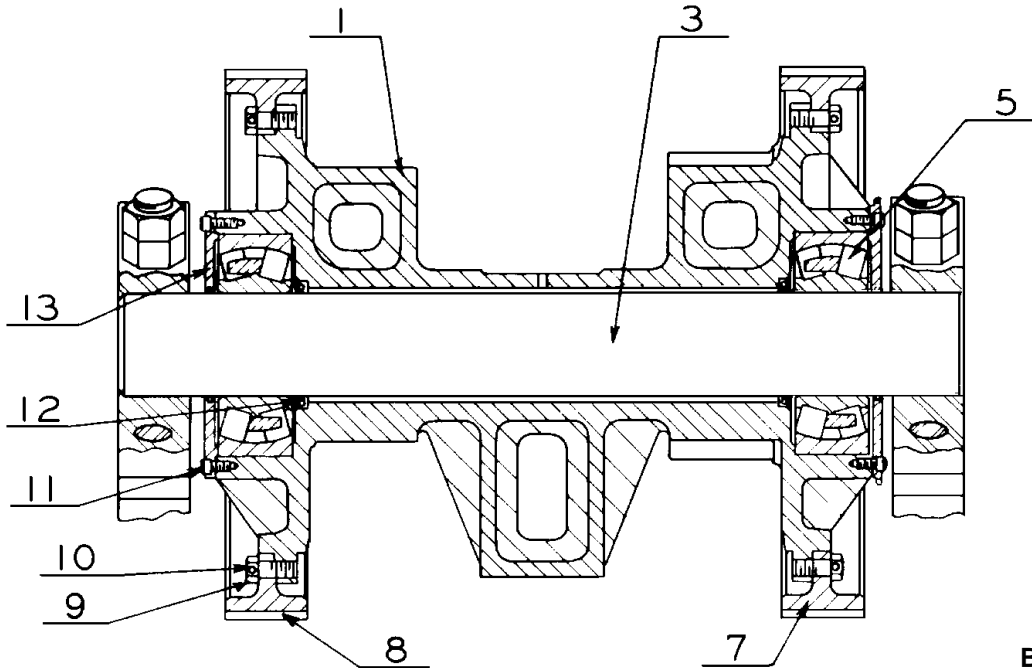


FRAME & MISCELLANEOUS PARTS

Ref. No.	Name of Part	Qty	Part No.
1	FRAME, Includes Reference Numbers 1 thru 5	1	200PAH001
3	STUD, Main Shaft Saddle	4	79L175
4	NUT, Main Shaft Saddle	4	50T3
5	SHIM, Main Shaft Saddle	4	77A322
6	PLATE-INSPECTION, Crosshead	2	PE723
7	SCREW, Crosshead Inspection Plate	12	75A136
8	GASKET, Crosshead Inspection Plate	2	25C1941
9	PLATE-INSPECTION	1	PJ237
10	SCREW, Inspection Plate	8	75AA1
11	GASKET, Inspection Plate	1	1PJ715
12	GAUGE-TEMPERATURE	1	27H11
13	GAUGE-OIL LEVEL	1	40L17
14	HOOD	1	1PA246
15	SCREW, Hood to Frame	20	75AA1
16	GASKET, Hood	1	PJ715
17	BREATHER	1	5C24
18	COVER-FILLER	1	PJ880
19	PLATE, Eccentric Shaft	2	PA247
20	GASKET, Eccentric Shaft Plate	2	25C1869
21	SCREW, Eccentric Shaft Plate	6	75A136
*	PLUG, Oil Drain	1	64B6
*	PLUG MAGNETIC, Oil Drain	3	66D13
*	SADDLE	2	2PA176
*	SCREW, Main Shaft Locating	1	75P94
*	BUSHING-PIPE, Temperature Gauge	1	64E2
*	PLUG, In Sides of Frame	2	64B3
*	PLATE-DATA	1	203OPA454
*	PLATE-NAME	1	200OPA496
*	SCREW, Plate	8	75LM199
*	INSPECTION PLATE	1	201PAH052
*	STUD	2	79A466
*	WING NUT	2	50H1

* Not shown on illustration.

Order by Part Number and Description. Reference Numbers are shown for your convenience only.



B45697
(Ref. Drawing)

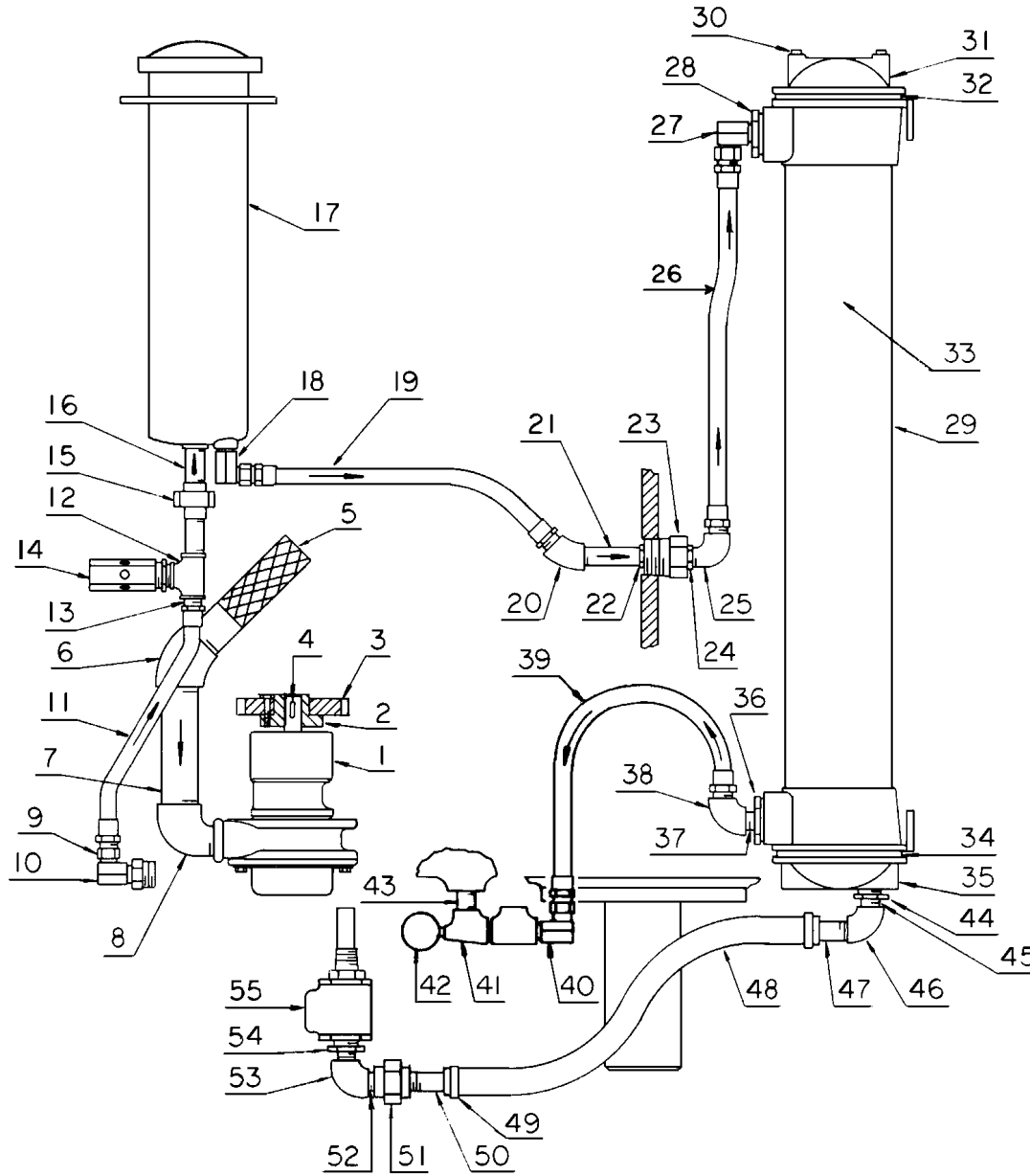
ECCENTRIC GROUP

Ref. No.	Name of Part	Qty.	Part No.
1	ECCENTRIC, Includes Reference Number 12	1	200PAH255
3	SHAFT-ECCENTRIC (with Plugs)	1	1PA367A
*	PLUG, Shaft Oil Line	2	64AC4
5	BEARING	2	12GC2
7	GEAR-DRIVEN (Right Side)**	1	201PAH280
8	GEAR-DRIVEN (Left Side)**	1	200PAH280
9	SCREW, Gear to Eccentric	10	655EG07D
*	SCREW, Gear Locating	2	75B88
10	WIRE	24"	97A29
11	SCREW, Plate to Eccentric	12	75B20
12	OIL SEAL, Includes next item	2	1PA1062A
*	SEAL-QUAD RING	2	25AJ58
13	PLATE-BEARING RETAINER	2	2PA366
*	WIRE, Plate to Eccentric Shaft	72"	97A29

* Not shown.

** To determine the Right Hand and Left Hand side of pump, see ordering instructions on page 1.

LUBRICATING OIL PUMP PIPING, HEAT EXCHANGER AND FILTER



300TGH797
(Ref. Drawing)

Order by Part Number and Description. Reference Numbers are shown for your convenience only.

LUBRICATING OIL PUMP PIPING, HEAT EXCHANGER AND FILTER

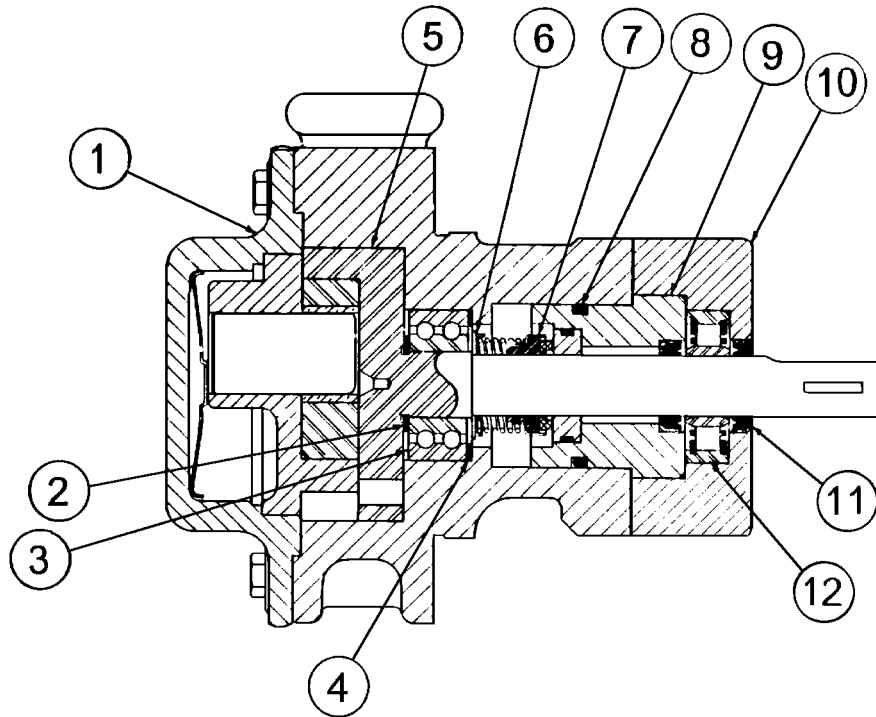
Ref No.	Name of Part	Qty.	Part No.	Ref. No.	Name of Part	Qty.	Part No.
1	OIL PUMP**	1	201PAH188	27	ADAPTOR-HOSE, Swivel	1	29Q17
*	SCREW, Oil Pump to Frame	4	75A98	28	BUSHING-PIPE	1	64E9
2	BUSHING-HUB	1	22F12SD	29	HEAT EXCHANGER, Incl. next 6 items	1	2013457
3	GEAR-DRIVEN, Oil Pump	1	2013902	30	ANODE-ZINC	2	2008266
4	KEY-OIL PUMP	1	35D2	31	BONNET-RETURN	1	2010323
	(Suction Screen to Oil Pump)			32	GASKET-RETURN	1	2008272
5	SCREEN-OIL	1	3WAJ511	33	CORE ASSEMBLY	1	2010324
6	ELBOW	1	64V8	34	GASKET, 2-PASS	1	2010295
7	NIPPLE	1	63K16	35	BONNET, 2-PASS	1	2010322
8	ELBOW-PIPE STREET	1	64U4		(Heat Exchanger to Gauge)		
	(Oil Pump to Oil Filter)			36	BUSHING-PIPE	1	64E9
9	BUSHING-PIPE	2	64E16	37	NIPPLE	1	63U12X13
10	ADAPTOR-HOSE, Swivel	1	29Q17	38	ELBOW	1	64C5
11	HYDRAULIC HOSE ASSEMBLY	1	2009009	39	HYDRAULIC HOSE ASSEMBLY	1	29N1
12	TEE-PIPE	1	64G7	40	ADAPTOR-HOSE, Swivel	1	29Q17
13	NIPPLE	1	63U12X13	41	TEE-PIPE	1	64P14
14	VALVE-LIQUID RELIEF	1	90AR27	42	GAUGE-PRESSURE	1	27A121
15	UNION-STRAIGHT	1	64Z10	43	NIPPLE	1	63U12X20
16	NIPPLE	2	63U12X44		(Heat Exchanger to Water Control Valve)		
17	FILTER-OIL***	1	26C18	44	BUSHING-PIPE	1	64E29
	(Filter to Frame Adaptor)			45	NIPPLE	1	63F21
18	ADAPTOR-HOSE, Swivel	1	29Q17	46	ELBOW	1	64C4
19	HYDRAULIC HOSE ASSEMBLY	1	29R23	47	NIPPLE-PIPE, Half	1	63AJ8X40
20	ELBOW	1	64V5	48	HOSE-OIL	15"	R14G
21	NIPPLE	1	63U12X40	49	CLAMP-HOSE	2	29B31
22	BUSHING-PIPE	1	64R3	50	NIPPLE-PIPE, Half	1	63AJ8X40
23	CONNECTOR, Frame	1	76AUX113	51	UNION-STRAIGHT	1	64Z3
	(Frame Adaptor to Heat Exchanger)			52	NIPPLE	2	63F21
24	BUSHING-PIPE	1	64R3	53	ELBOW	1	64C4
25	ELBOW-PIPE STREET	1	64D6	54	BUSHING-PIPE	1	64E14
26	HYDRAULIC HOSE ASSEMBLY	1	29R106	55	VALVE-THERMAL	1	90K165

* Not shown.

** For component parts of Oil Pump, see page 8.

*** For component parts of Oil Filter, see page 9.

Order By Part Number and Description. Reference Numbers are shown for your convenience only.



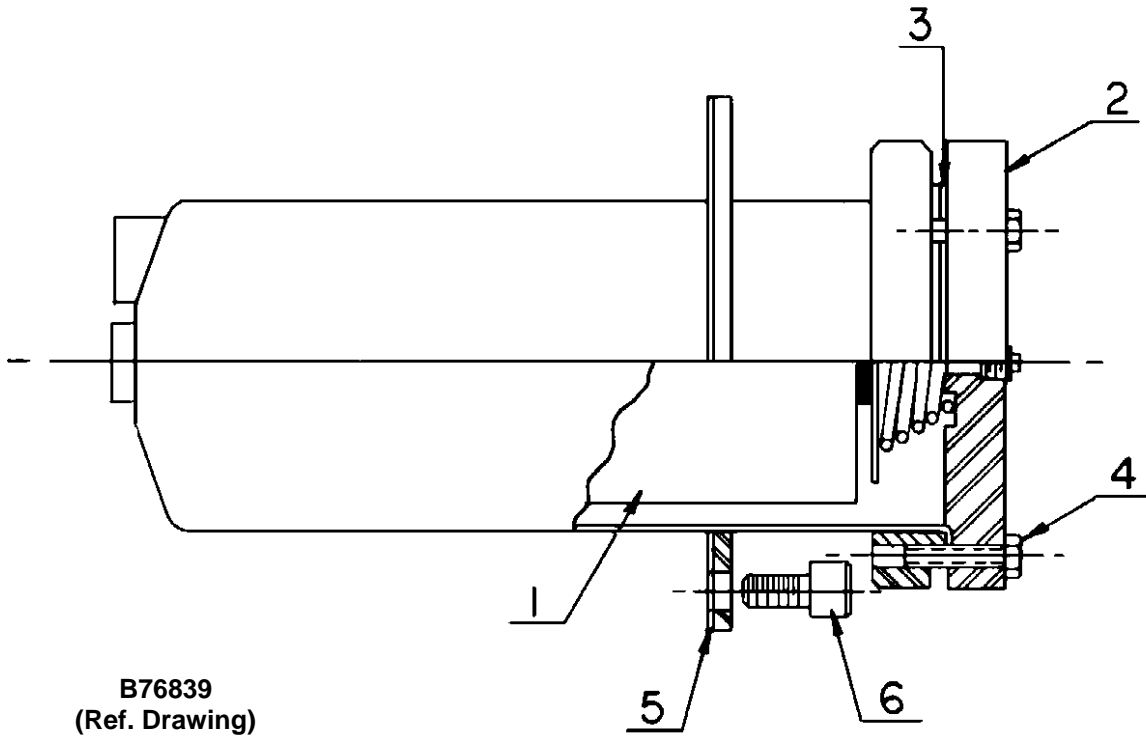
300PAH810
(Ref. Drawing)

OIL CIRCULATING PUMP

Ref. No.	Name of Part	Qty.	Part No.
	OIL PUMP – COMPLETE	1	201PAH188
1	COVER	1	2010987
2	WASHER	1	2010992
3	BALL BEARING	1	2010993
4	SHIM, Bearing	1	2010994
5	ROTOR	1	2010995
6	WASHER	1	2010996
7	SEAL, Mechanical	1	2109003
8	O-RING	1	2109004
9	PLUG-HOUSING	1	2010997
10	HOUSING-BEARING	1	2109005
11	SEAL, Bearing Housing	1	2010998
12	BEARING-ROLLER	1	2010999
*	VENT PLUG-SUCTION	1	2109000
*	VENT PLUG-DISCHARGE	1	2109001
*	WASHER, Vent Plug	2	2109002

* Not shown.

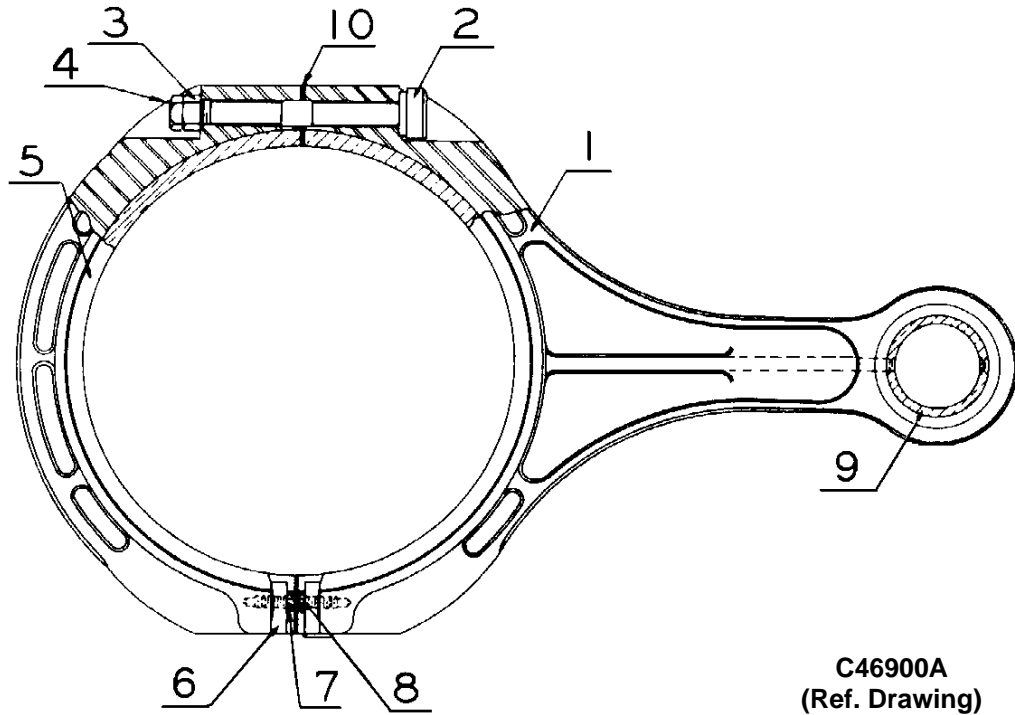
Order By Part Number and Description. Reference Numbers are shown for your convenience only.



OIL FILTER

Ref. No.	Name of Part	Qty.	Part No.
	OIL FILTER ASSEMBLY, Includes Ref. No. 1 thru 4	1	26C18
1	ELEMENT ASSEMBLY, Includes Ref. No. 3	1	5E30
2	COVER	1	2109770
3	GASKET	1	2109771
4	SCREW, COVER	4	655EE080
5	GASKET, Filter to Frame	1	25C1788N
6	SCREW-SOHD CAP, Filter to Frame	6	75P95

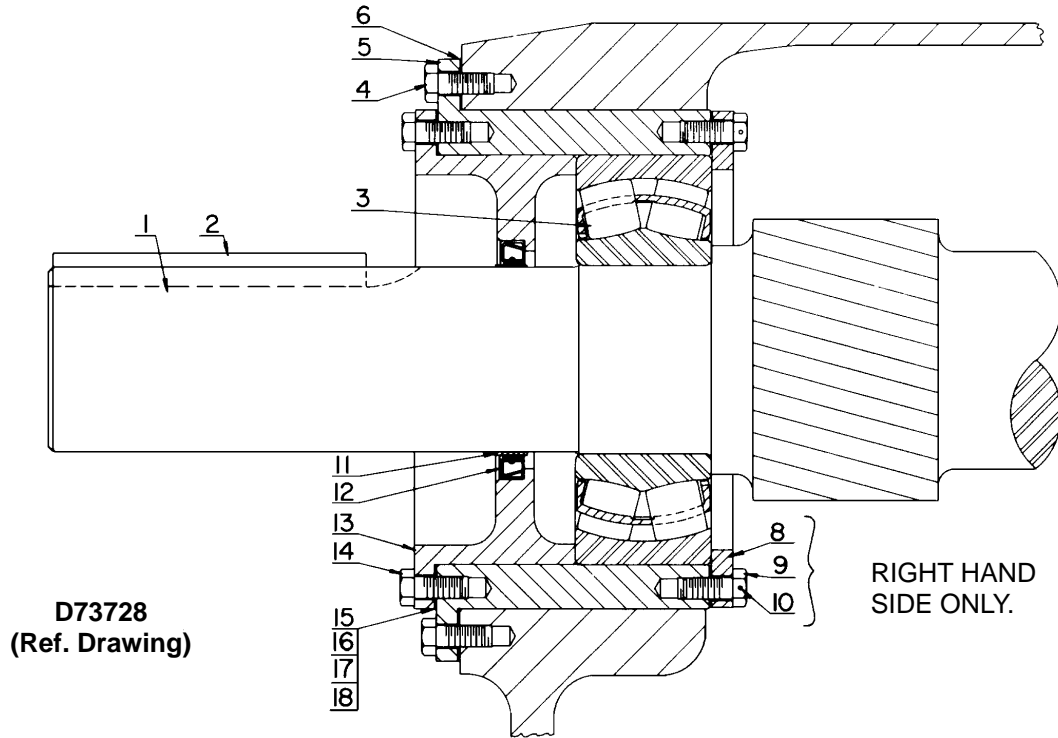
Order By Part Number and Description. Reference Numbers are shown for your convenience only.



CONNECTING ROD

Ref. No.	Name of Part	Qty.	Part No.
1	CONNECTING ROD ASSEMBLY – COMPLETE Includes Reference Numbers 2 thru 10	3	2014809
2	BOLT, Connecting Rod	6	200PAH254
3	NUT, Connecting Rod Bolt	6	50AQ30
4	NUT-LOCK, Connecting Rod Bolt	6	50M2
5	BUSHING	3	1PA421
6	CLAMP, Liner	24	PA889
7	WIRE-SCREW	72"	97A29
8	SCREW, Clamp	24	75B41
9	BUSHING, Crosshead Pin	3	PA229
10	SHIM (.003)	12	77A324

Order By Part Number and Description. Reference Numbers are shown for your convenience only.



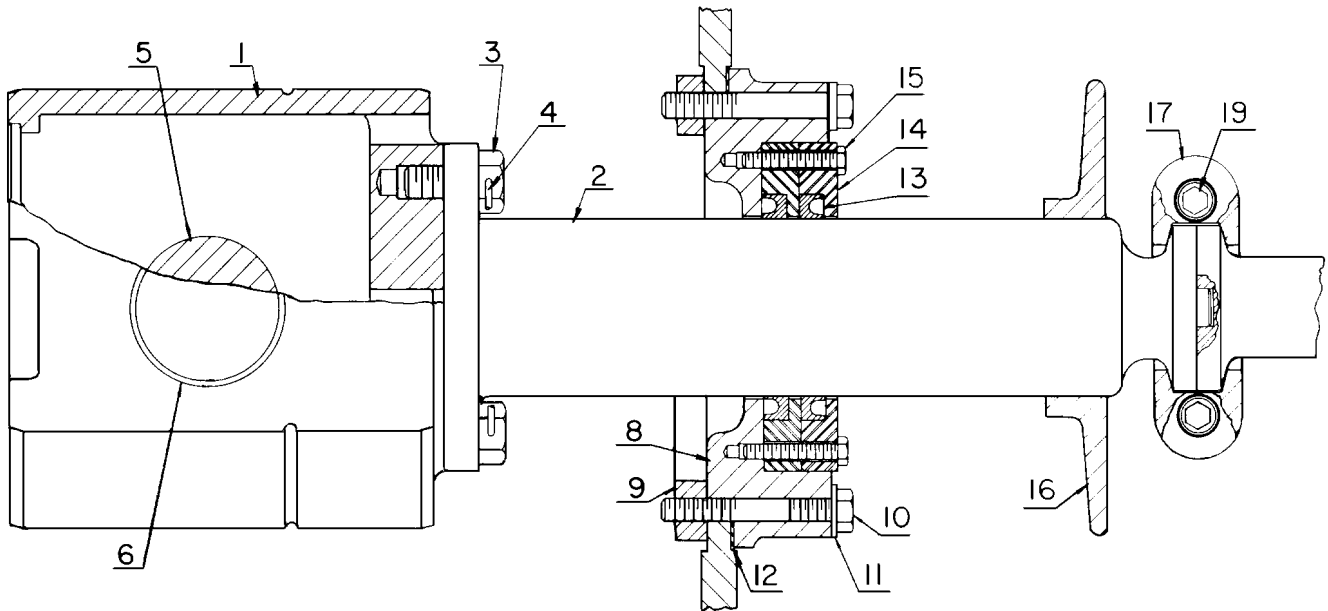
JACKSHAFT AND BEARING GROUP

Ref. No.	Name of Part	Qty.	Part No.
1	JACKSHAFT	1	200PAH371
2	KEY, Jackshaft	1	35L33
3	BEARING	2	12GC3
4	SCREW, Bearing Housing	12	75AA1
5	HOUSING-BEARING	2	1PA368
6	GASKET, Bearing Housing	2	25C1945
8	PLATE-RETAINER (Inner), Bearing	2	1PA1206
9	SCREW, Bearing Retainer Plate	6	655EE04D
10	WIRE	48"	97A29
*	ADAPTOR (Jackshaft)	1	2006524
*	SCREW (Adaptor to Jackshaft)	2	75P73
11 **	SLEEVE WEAR, Oil Seal	1	80L8
12 **	SEAL-OIL	1	60G259
13 **	PLATE-BEARING RETAINER	1	PJ370
14 **	SCREW, Bearing Retainer Plate	6	655EE050
15 **	GASKET, Bearing Retainer Plate	1	25C1722N
16 **	SHIM (.002), Bearing Retainer Plate	2	77A366
17 **	SHIM (.005), Bearing Retainer Plate	3	77A320
18 **	SHIM (.010), Bearing Retainer Plate	4	77A321
*	COVER, Jackshaft Extension	1	200TGH490

* Not shown.

** On side opposite Gear Reducer.

Order By Part Number and Description. Reference Numbers are shown for your convenience only.



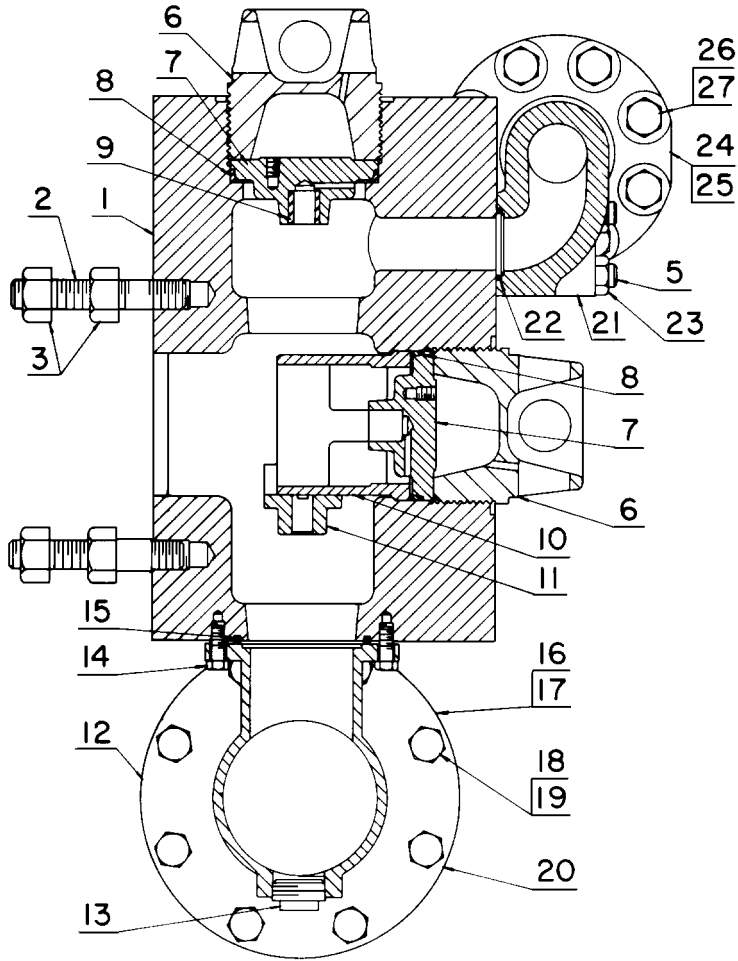
D76259
(Ref. Drawing)

CROSSHEAD, EXTENSION ROD AND OIL STOP HEAD GROUP

Ref. No.	Name of Part	Qty.	Part No.
1	CROSSHEAD (Standard)	3	PJ175
*	CROSSHEAD (.120 Oversize)	3	201PAH005
2	ROD-EXTENSION	3	1PO183
3	SCREW, Extension Rod to Crosshead	18	PO701
4	WIRE	72"	97A29
5	PIN-CROSSHEAD	3	200PAH189
6	RING-RETAINING	6	65U25
8	OIL STOP HEAD	3	PJ226
9	PLATE-RETAINING	6	200PJH168
10	SCREW, Head to Frame	12	655EE140
11	GASKET, Head to Frame Screw	12	25F9
12	GASKET, Oil Stop Head	3	25C1870
13	SEAL, Oil Stop Head	6	2011872
14	RING-RETAINING, Oil Seal	6	1PV1398
15	SCREW, Oil Seal Retaining Ring	18	75A102
16	BAFFLE, Extension Rod	3	5FXK840
17	PLUNGER COUPLING ASSEMBLY, Includes Ref. No. 18	3	200PZJ4065
18	SCREW, Coupling	6	655EE22S
19	FLANGE NUT	6	50AW35

* Not shown.

FLUID CYLINDER (HP BLOCK STEEL)
(Well Servicing or Drilling)



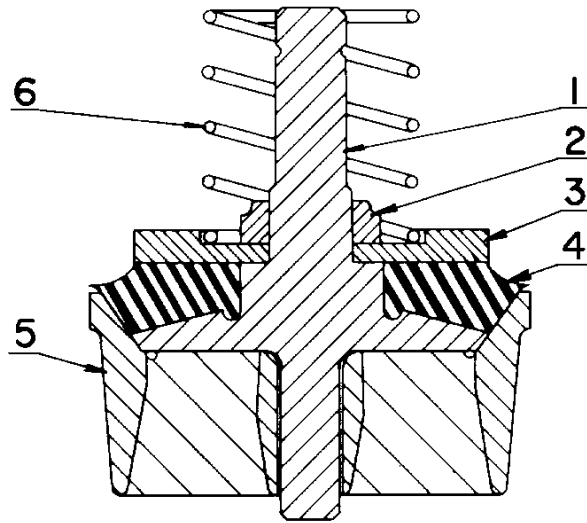
C76254
(Ref. Drawing)

Ref No.	Name of Part	Qty.	Part No.
1	FLUID CYLINDER, Includes Ref. No. 2, 3, 5 & 23	3	200PJH029B
2	STUD, Cylinder to Frame	18	79AJ2
3	NUT, Cylinder to Frame & Liner Clamp	36	50B35
5	STUD, Discharge Manifold	12	79L142
6	LOCK-COVER	6	3PA587
7	COVER-VALVE	6	200PJH147
8	GASKET, Valve Cover	6	200PJH715
9	BUSHING, Discharge Valve Cover	3	2013547
10	RETAINER, Suction Valve Guide	3	200PJH205
11	GUIDE-VALVE, Suction	3	200PJH483
12	MANIFOLD-SUCTION	1	200PAH069
13	PLUG	1	64A25
14	SCREW, Suction Manifold to Cylinder	12	655EG07N
15	GASKET, Suction Manifold to Cylinder	3	25BE18
16	FLANGE-WELD	1	64CU10
17	FLANGE-BLIND	1	64EB16
18	SCREW, Flange	16	655EG130
19	NUT, Flange	16	50B8
20	GASKET, Flange to Manifold	2	25C2622
21	MANIFOLD-DISCHARGE	1	200PJH071
22	GASKET, Manifold to Cylinder	3	25BD3
23	NUT, Manifold to Cylinder Stud	12	50B9
24	FLANGE, Discharge	2	64EB37
25	GASKET, Discharge Flange	2	25BC42
26	SCREW, Discharge Flange	16	75A231
27	NUT, Discharge Flange	16	50B9
*	PIN (Valve Cover Tightening Bar)	1	62L62**
*	PIN (Valve Cover Tightening Bar)	1	2009526**

* Not shown.

** These parts are not standard equipment but are furnished when ordered. Both parts are required.

Order by Part Number and Description. Reference Numbers are shown for your convenience only.



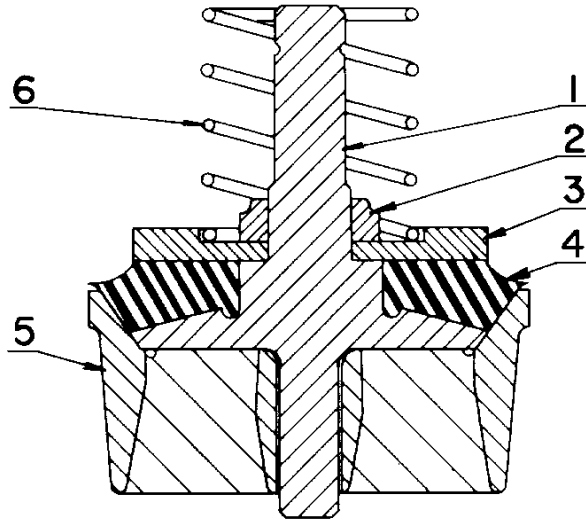
B73991
(Ref. Drawing)

**STEEL CENTER-GUIDED VALVE WITH URETHANE INSERT
(Standard Equipment)**

Ref. No.	Name of Part	Qty.	Part No.
	FLUID VALVE ASSEMBLY, Includes Ref. Nos. 1 thru 4	6	PJ482A
1	FLUID VALVE	6	PJ482
2	LOCKNUT	6	50V51
3	WASHER-VALVE	6	PJ279
4	INSERT-URETHANE	6	PJ452
5	SEAT-VALVE	6	PJ451
6	SPRING	6	78H23

For above valves use one (1) PJ219A Puller Assembly, as shown on page 29.

Order by Part Number and Description. Reference Numbers are shown for your convenience only.



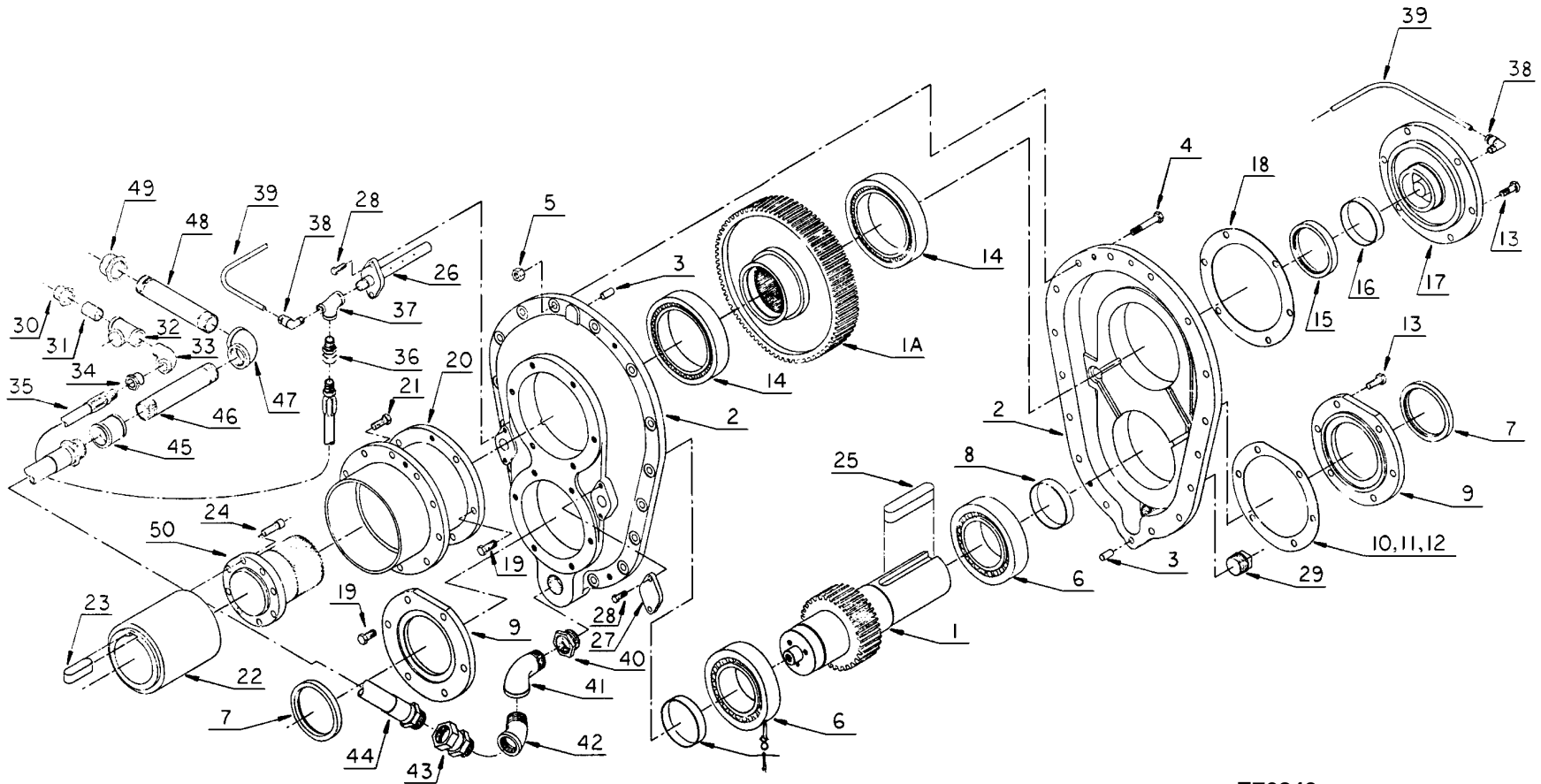
B73991
(Ref. Drawing)

**STEEL CENTER-GUIDED VALVE WITH RUBBER INSERT
(Optional)**

Ref. No.	Name of Part	Qty.	Part No.
	FLUID VALVE ASSEMBLY, Includes Ref. Nos. 1 thru 4	6	2005341
1	FLUID VALVE	6	PJ482
2	LOCKNUT	6	50V51
3	WASHER-VALVE	6	PJ279
4	INSERT-RUBBER	6	2005342
5	SEAT-VALVE	6	PJ451
6	SPRING	6	78H23

For above valves use one (1) PJ219A Puller Assembly, as shown on page 29.

GEAR REDUCER GROUP



E76843
(Ref. Drawing)

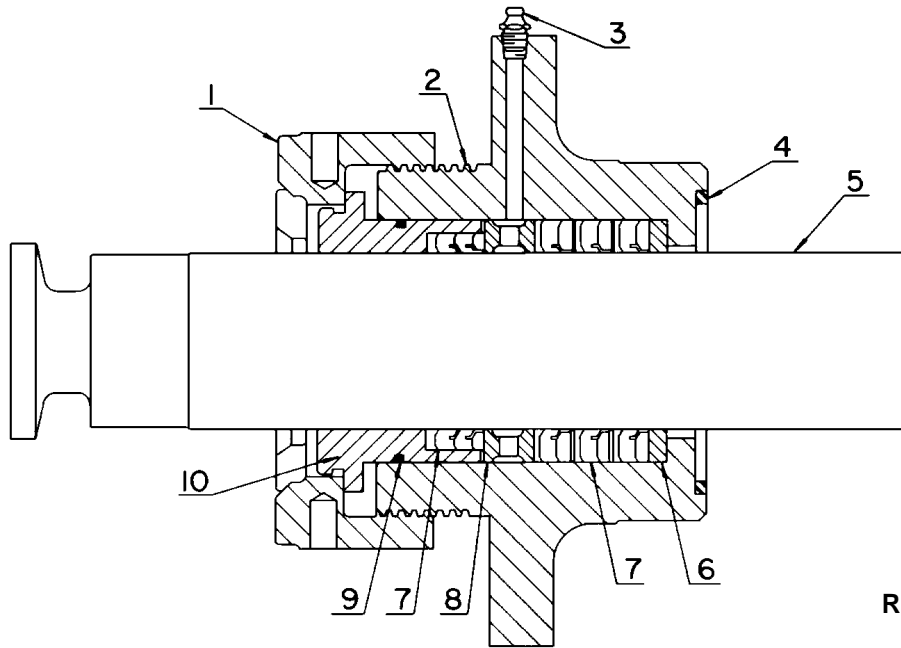
Order by Part Number and Description. Reference Numbers are shown for your convenience only.

GEAR REDUCER GROUP

Ref No.	Name of Part	Qty.	Part No.	Ref No.	Name of Part	Qty.	Part No.
	GEAR REDUCER – Selective Includes Items 1 & 1A			22	HUB (Jackshaft to Gear Reducer)	1	201TGH123
1	GEAR RATIO 10.15 TO 1 Gear–Driver	1	200TGH181	23	KEY	1	35L33
1A	Gear–Driven .	1	200TGH280	24	SCREW	8	75P2
1	GEAR RATIO 8.41 TO 1 Gear–Driver .	1	201TGH181	*	HUB (Input Drive Shaft)	1	200TGH123
1A	Gear–Driven .	1	201TGH280	25	KEY	1	35B312
1	GEAR RATIO 6.81 TO 1 Gear–Driver .	1	202TGH181	*	SET SCREW (Drive Hub to Shaft)	1	76F98
1A	Gear–Driven .	1	202TGH280	26	SPRAY BAR	1	200TGH813
1	GEAR RATIO 5.73 TO 1 Gear–Driver .	1	203TGH181	27	COVER	3	19AUX27
1A	Gear–Driven .	1	203TGH280	28	SCREW	8	75A130
2	HOUSING–GEAR	2	200TGH151	29	PLUG–PIPE	1	64A8
3	PIN–DOWEL	2	62M82	*	GASKET (Eliminator)	1	25BC222
4	SCREW	16	655EE090	30	BUSHING–PIPE	1	64R3
5	NUT	16	50B5	31	NIPPLE	1	63G1
6	BEARING–ROLLER (Input Shaft)	2	12C10	32	TEE–PIPE	1	64G7
7	SEAL–OIL	2	60G222	33	ELBOW	1	64D6
8	WEAR SLEEVE	2	2009756	34	BUSHING–PIPE	1	64E5
9	PLATE–BEARING RETAINER	2	200TGH253	35	HYDRAULIC HOSE ASSEMBLY	1	29R29
	(Input Shaft)			36	ADAPTOR HOSE	1	29Q6
10	SHIM (.005)	6	200TGH732	37	TEE–PIPE	1	64P7
11	SHIM (.0075)	6	201TGH732	38	ELBOW TUBE	2	86E64
12	SHIM (.020)	2	202TGH732	39	TUBE–FORMED	1	200TGH857
13	SCREW	12	655EE050	40	BUSHING–PIPE	1	64E22
14	BEARING–ROLLER (Output Shaft)	2	12BA110	41	ELBOW–PIPE	1	64D7
15	SEAL–OIL	1	60G63	42	ELBOW–PIPE	1	64X7
16	WEAR SLEEVE	1	80M17	43	ADAPTOR HOSE	1	29Q15
17	PLATE–BEARING RETAINER	1	201TGH253	44	HYDRAULIC HOSE ASSEMBLY	1	29R104
	(Output Shaft)			45	COUPLING–PIPE	1	64BK7
18	SHIM SET	2	77G22	46	NIPPLE	1	63J10
19	SCREW	12	655EE050	47	ELBOW	1	64C7
20	ADAPTOR	1	200TGH170	48	NIPPLE	1	63J8
*	GASKET (Adaptor to Bearing Housing)	1	25C1722N	49	BUSHING–PIPE	1	64E22
21	SCREW (Adaptor to Bearing Housing) .	12	655EE050	50	SHAFT, Gear Driven to Jackshaft Hub .	1	200TGH050

* Not shown.

Order by Part Number and Description. Reference Numbers are shown for your convenience only.



C74345
Ref. Drawing)

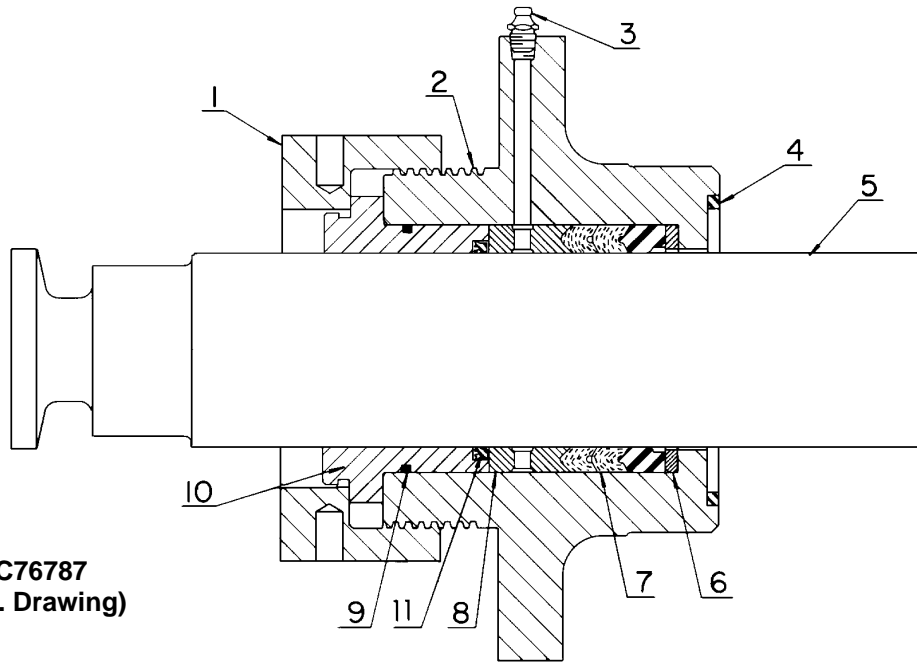
STUFFING BOX AND PLUNGERS

Ref. No.	Name of Part	Qty.	Model TGHD_A		
			4-1/2" Part No.	4" Part No.	3-1/2" Part No.
1	GLAND	3	6PA113	6PA113	6PA113
2	BOX-STUFFING, Includes Ref. No. 3 ..	3	8PA14	9PA14	10PA14
3	FITTING-GREASE	3	40E7	40E7	40E7
4	GASKET	3	25AL22	25AL22	25AL22
*	PIN-GLAND	3	62V22	62V22	62V22
5	PLUNGER (Colmonoy)	3	200PAH038	201PAH038	203PAH038
PACKING - 838 STYLE					
	PACKING GROUP, Incl. Ref. Nos. 6 - 10	3	38PA160045	38PA160040	38PA160035
6	RING-JUNK	3	PO31745	PO31740	PO31735
7	PACKING SET, Includes Ref. No. 9** ...	3	60BU93	60BU91	60BU90
8	SPACER-LANTERN	3	PO44545	PO44540	PO44535
9	O-RING**	3	25AA32	25AA28	25AA24
10	BUSHING-GLAND	3	29PA15245	29PA15240	29PA15235

* Not shown.

** O-Ring included in Packing Set but may be purchased separately.

Order by Part Number and Description. Reference Numbers are shown for your convenience only.



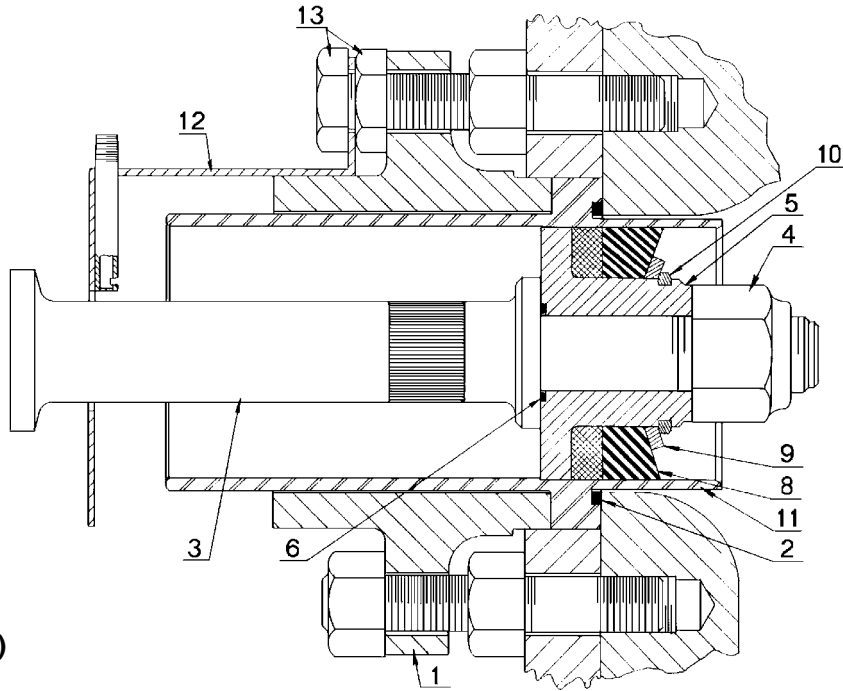
STUFFING BOX AND PLUNGERS

Ref. No.	Name of Part	Qty.	Model TGHB_A	
			4-1/2" Part No.	4" Part No.
1	GLAND	3	6PA113	6PA113
2	BOX-STUFFING, Includes Reference Number 3	3	8PA14	9PA14
3	FITTING-GREASE	3	40E7	40E7
4	GASKET	3	25AL22	25AL22
*	PIN-GLAND	3	62V22	62V22
5	PLUNGER (Colmonoy)	3	200PAH038	201PAH038
PACKING - 1067 STYLE				
	PACKING GROUP, Includes Ref. Nos. 6 thru 10	3	TGF77612	TGF77613
6	RING-JUNK	3	201TGF317	202TGF317
7	PACKING SET, Includes Ref. No. 9**	3	60DD117	60DD116
8	SPACER-LANTERN	3	201TGF445	202TGF445
9	O-RING**	3	25AA32	25AA28
10	BUSHING-GLAND	3	202TGF152	203TGF152

* Not shown.

** O-Ring included in Packing Set but may be purchased separately.

Order by Part Number and Description. Reference Numbers are shown for your convenience only.



C73708
Ref. Drawing)

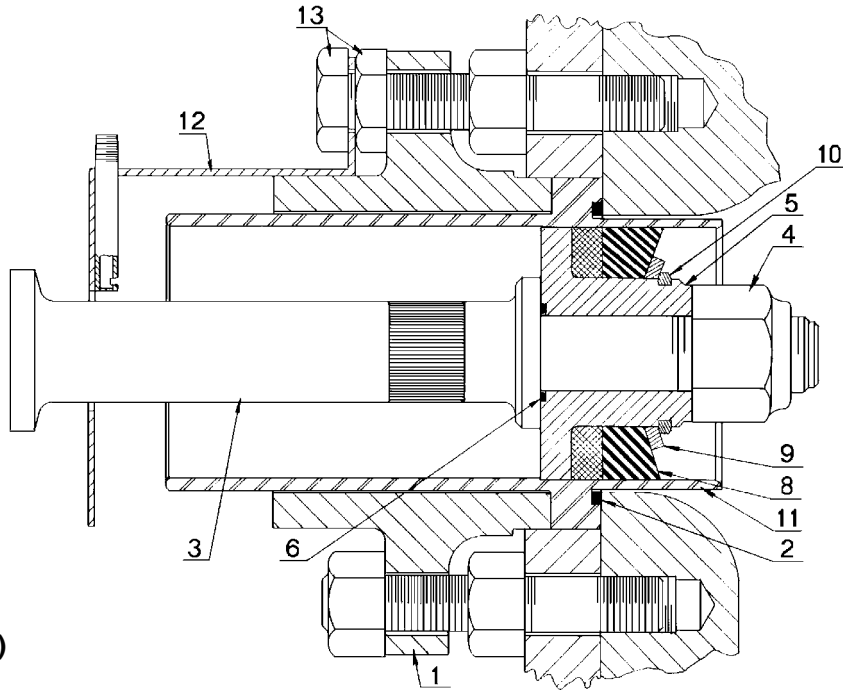
PISTON ROD, PISTON AND LINER

Ref. No.	Name of Part	Qty.	Models TGHA_A and TGHC_A		
			5" Part No.	4-1/2" Part No.	4" Part No.
1	CLAMP-LINER	3	1PA217	1PA217	1PA217
2	GASKET, Liner to Cylinder	3	25AL22	25AL22	25AL22
3	PISTON ROD, Includes Ref. No. 4	3	PJ183	PJ183	PJ183
4	NUT, Piston Rod	3	50V14	50V14	50F14
5	PISTON BODY ASSEMBLY, Includes Ref. Nos. 6, 7 and 8	3	241TBB045A	239TBB045A	241TBA045B
6	O-RING	3	25AH1	25AH1	25AH1
*	SPACER	3	None	None	200TBA144
8	INSERT GROUP, Incl. Ref. Nos. 9 & 10	3	TBB76024	TBB76022	TBA76008
9	PLATE-RETAINER	3	**	**	**
10	RING-RETAINING	3	**	**	**
11	LINER	3	PJ13950	PA13945	PA13940
12	BAFFLE	3	PJ840	PJ840	PJ840
13	NUT-JAM, Baffle	12	50F11	50F11	50F11

* Not shown.

** Included in INSERT GROUP.

Order by Part Number and Description. Reference Numbers are shown for your convenience only.



C73708
Ref. Drawing)

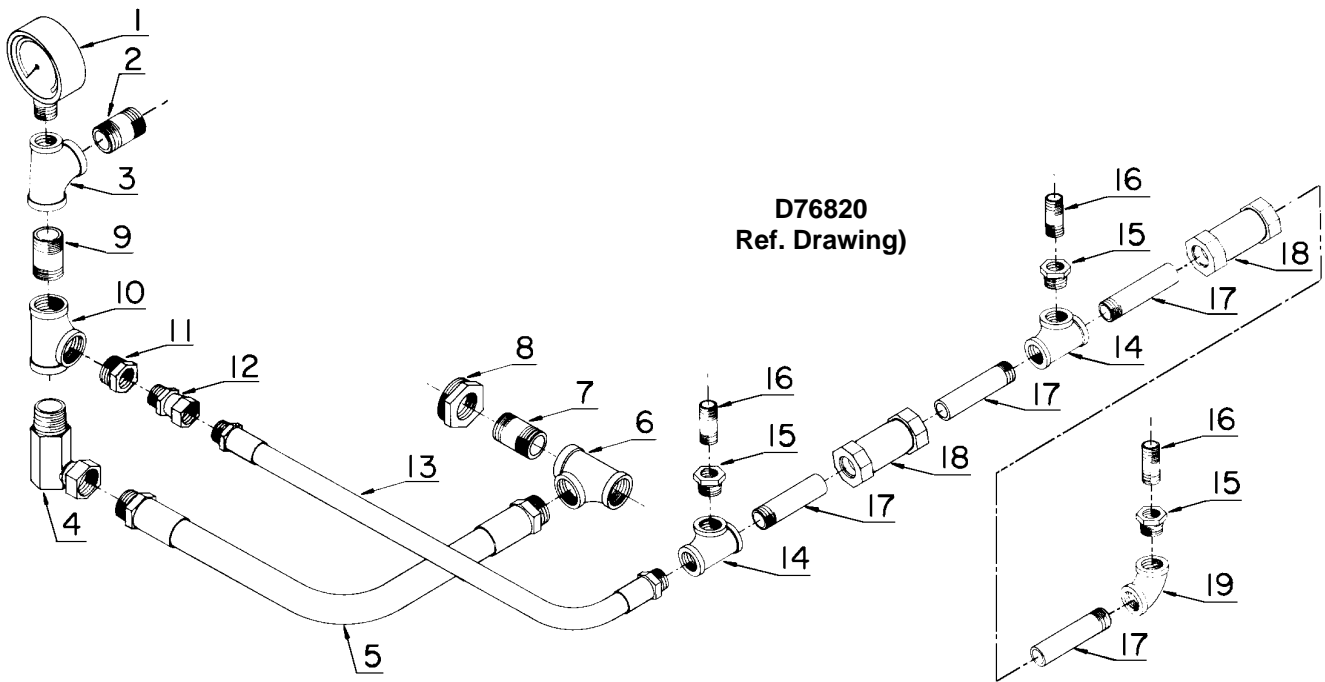
PISTON ROD, PISTON AND LINER

Ref. No.	Name of Part	Qty.	Models TGHA_A and TGHC_A		
			3-1/2" Part No.	3-1/4" Part No.	3" Part No.
1	CLAMP-LINER	3	1PA217	1PA217	1PA217
2	GASKET, Liner to Cylinder	3	25AL22	25AL22	25AL22
3	PISTON ROD, Includes Ref. No. 4	3	PJ183	PJ183	PJ183
4	NUT, Piston Rod	3	50V14	50V14	50F14
5	PISTON BODY ASSEMBLY, Includes Ref. Nos. 6, 7 and 8	3	239TBA045B	238TBA045B	237TBA045B
6	O-RING	3	25AH1	25AH1	25AH1
*	SPACER	3	200TBA144	200TBA144	200TBA144
8	INSERT GROUP, Incl. Ref. Nos. 9 & 10	3	TBA76006	TBA76005	TBA76004
9	PLATE-RETAINER	3	**	**	**
10	RING-RETAINING	3	**	**	**
11	LINER	3	PA13935	PA13932	PA13930
12	BAFFLE	3	PJ840	PJ840	PJ840
13	NUT-JAM, Baffle	12	50F11	50F11	50F11

* Not shown.

** Included in INSERT GROUP.

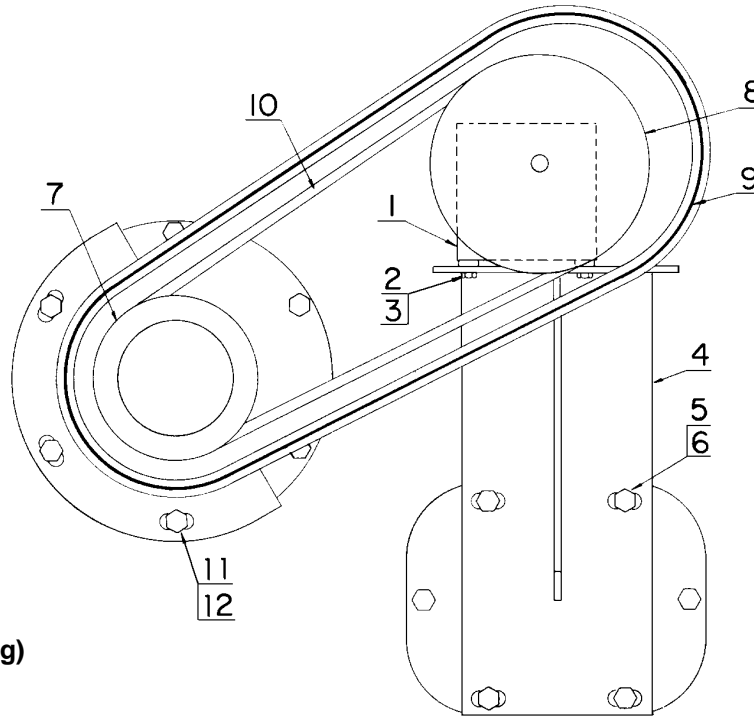
Order by Part Number and Description. Reference Numbers are shown for your convenience only.



CROSSHEAD LUBRICATION PIPING

Ref. No.	Name of Part	Qty.	Part No.
1	GAUGE-OIL PRESSURE	1	27A121
2	NIPPLE	1	63U12X20
3	TEE-PIPE, Reducing	1	64P14
4	ADAPTOR-HOSE, Swivel	1	29Q17
5	HYDRAULIC HOSE ASSEMBLY	1	29R21
6	TEE PIPE	1	64G7
7	NIPPLE	1	63G1
8	BUSHING-PIPE	1	64R3
9	NIPPLE	1	63G1
10	TEE-PIPE	1	64G7
11	BUSHING-PIPE	1	64E95
12	ADAPTOR-HOSE, Straight Swivel	1	29Q6
13	HYDRAULIC HOSE ASSEMBLY	1	29R43
14	TEE PIPE	2	64G6
15	BUSHING-PIPE	3	64E43
16	NIPPLE	3	63D3
17	NIPPLE	4	63AJ8X32
18	COUPLING-PIPE	2	64BC2
19	ELBOW-PIPE	1	64C4

Order by Part Number and Description. Reference Numbers are shown for your convenience only.



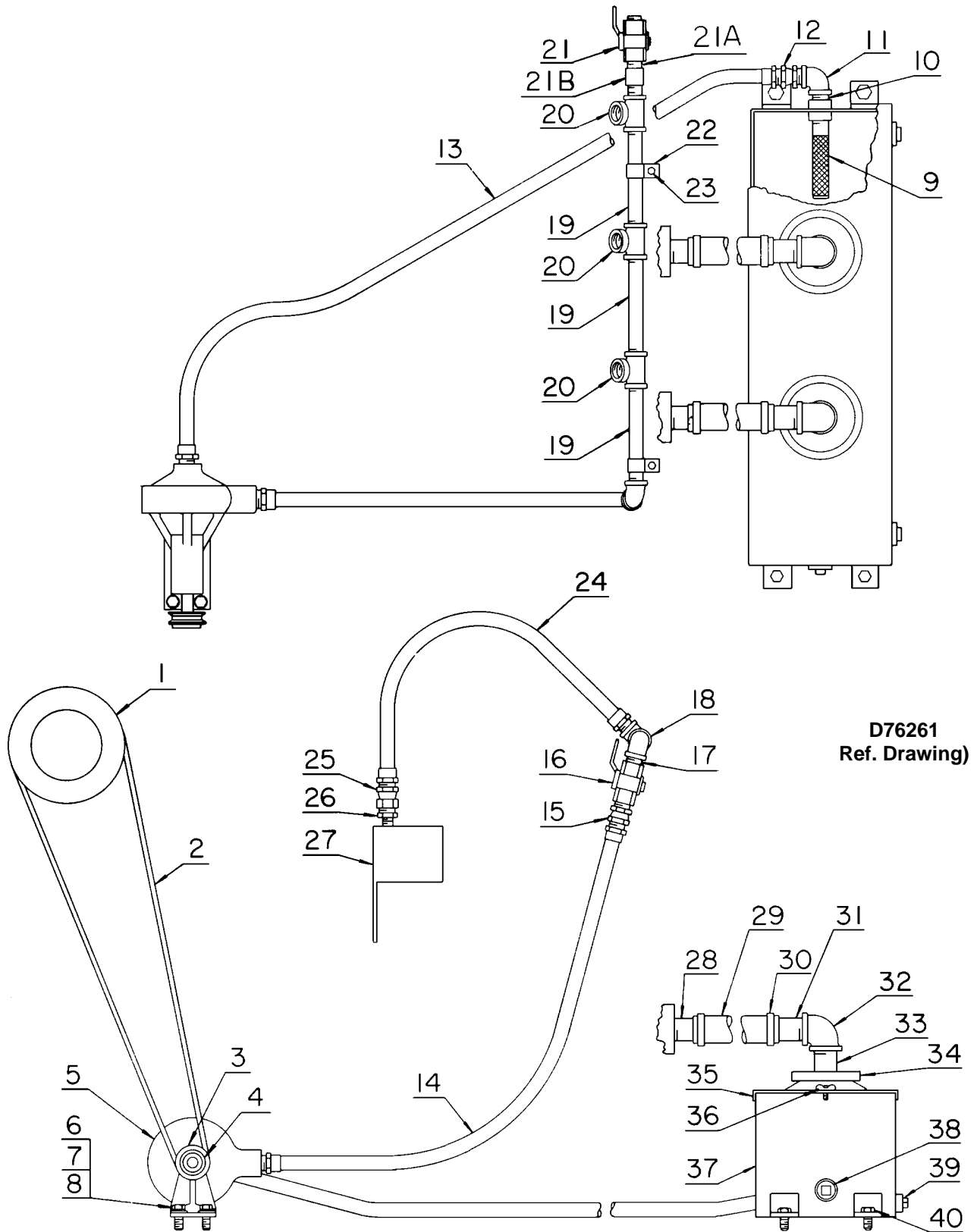
C76253
Ref. Drawing)

LUBRICATOR GROUP (Optional Equipment)

Ref. No.	Name of Part	Qty.	Models TGHB_A TGHD_A Part No.
	LUBRICATOR GROUP, Includes the following items	1	PAH68241
1	LUBRICATOR	1	40G100
2	SCREW, Lubricator to Bracket	4	75A33
3	WASHER, Lubricator to Bracket	4	95A2
4	BRACKET-LUBRICATOR	1	200PAH403
5	SCREW, Bracket to Pump	4	655EE050
6	WASHER, Bracket to Pump	4	95A5
7	SHEAVE ASSEMBLY, Jackshaft	1	1PA1342A
8	SHEAVE, Lubricator	1	73A626
9	GUARD-AUXILIARY, Drive	1	203PAH240
10	BELT	1	13N5301
*	KEY-WOODRUFF, Lubricator	1	35D2
11	SCREW, Guard to Pump	3	655EE060
12	WASHER, Guard to Pump	3	95A5
*	TUBE (Lubricator to Stuffing Box)	144"	85D4A
*	VALVE-CHECK (Assembly at Stuffing Box)	3	90AR373
*	ELBOW-TUBE (Assembly at Stuffing Box and Lubricator)	3	86A25
*	INSPECTION PLATE	1	202PAH052
*	STUD	2	79A466
*	WING NUT	2	50H1

* Not shown.

PISTON LUBRICATING PUMP AND PIPING



Order by Part Number and Description. Reference Numbers are shown for your convenience only.

PISTON LUBRICATING PUMP AND PIPING – MODELS TGHA_A AND TGHC_A**

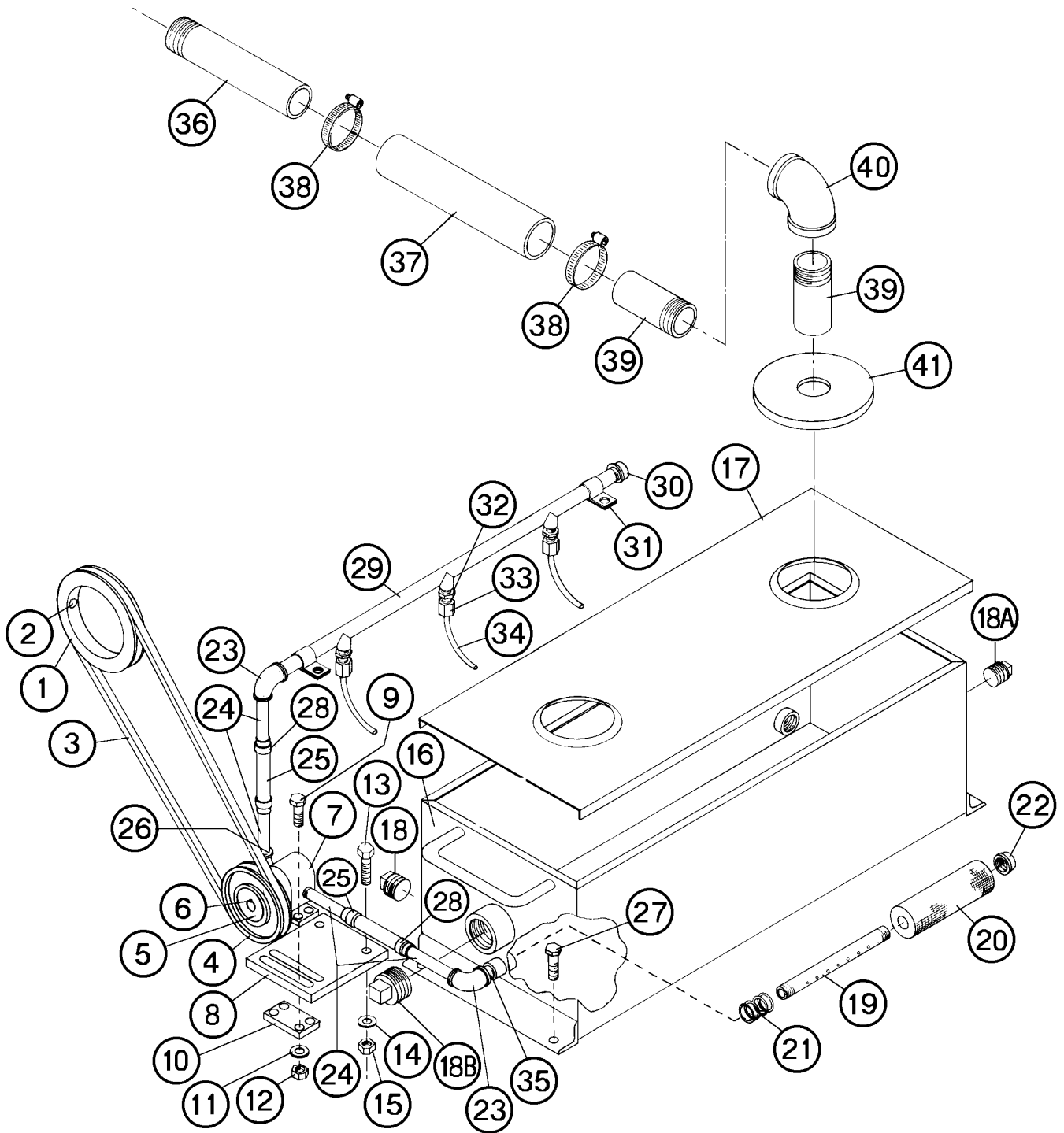
Ref. No.	Name of Part	Qty.	Part No.
1	SHEAVE–AUXILIARY (Includes Set Screw)	1	2006093
2	BELT	1	13C6
3	SHEAVE, Driven	1	73K1A30
4	BUSHING, Sheave	1	22E16B
5	PUMP–PISTON LUBRICATING	1	***
6	SCREW, Pump to Skid	4	655ED040
7	LOCKWASHER	4	95B3
8	WASHER	4	95A3
(Piping – Lube Tank to Pump)			
9	SCREEN–OIL	1	2WAJ511
10	NIPPLE	1	63H25
11	ELBOW	1	64C6
12	ADAPTOR–HOSE	1	29Q9
13	HYDRAULIC HOSE ASSEMBLY	1	29Z7
(Piping – Pump to Liner)			
14	HYDRAULIC HOSE ASSEMBLY	1	29R9
15	ADAPTOR–HOSE	1	29Q9
16	VALVE	1	90A36
17	NIPPLE	1	63H25
18	ELBOW	1	64S5
19	NIPPLE	3	63G39
20	TEE–PIPE	3	64P39
21	VALVE	1	90A25
21A	NIPPLE	2	63G2
21B	COUPLING–PIPE	1	64AB3
22	CLAMP	2	98H4
23	SCREW, Clamp	2	655EC020
24	HYDRAULIC HOSE ASSEMBLY	3	29R32
25	ADAPTOR–HOSE	3	29Q7
26	BUSHING–PIPE	3	64E2
27	BAFFLE	3	PJ840
(Piping – Frame to Lube Tank)			
28	NIPPLE	2	63AJ24X64
29	HOSE	2	29A305
30	CLAMP–HOSE	4	29B32
31	NIPPLE	2	63AJ24X30
32	ELBOW	2	64C8
33	NIPPLE	2	63AJ24X30
34	INSERT	2	3FO452
35	COVER–TANK	1	2006628
36	NUT–WING	2	50H1
37	TANK–LUBE OIL	1	2006626
38	PLUG	1	64A6
39	PLUG	2	64A7
40	SCREW, Tank to Skid	4	75H4
*	PLUG	1	64A9
*	INSPECTION PLATE	1	200TGH052
*	STUD	2	79A466
*	WINGNUT	2	50H1

* Not shown.

** The parts shown on this page are OPTIONAL EQUIPMENT for Model TGHA_A.

*** For component part of Piston Lubricating Pump, see page 28.

PLUNGER WASHING PARTS
(Optional Equipment)



C76840
Ref. Drawing)

Order by Part Number and Description. Reference Numbers are shown for your convenience only.

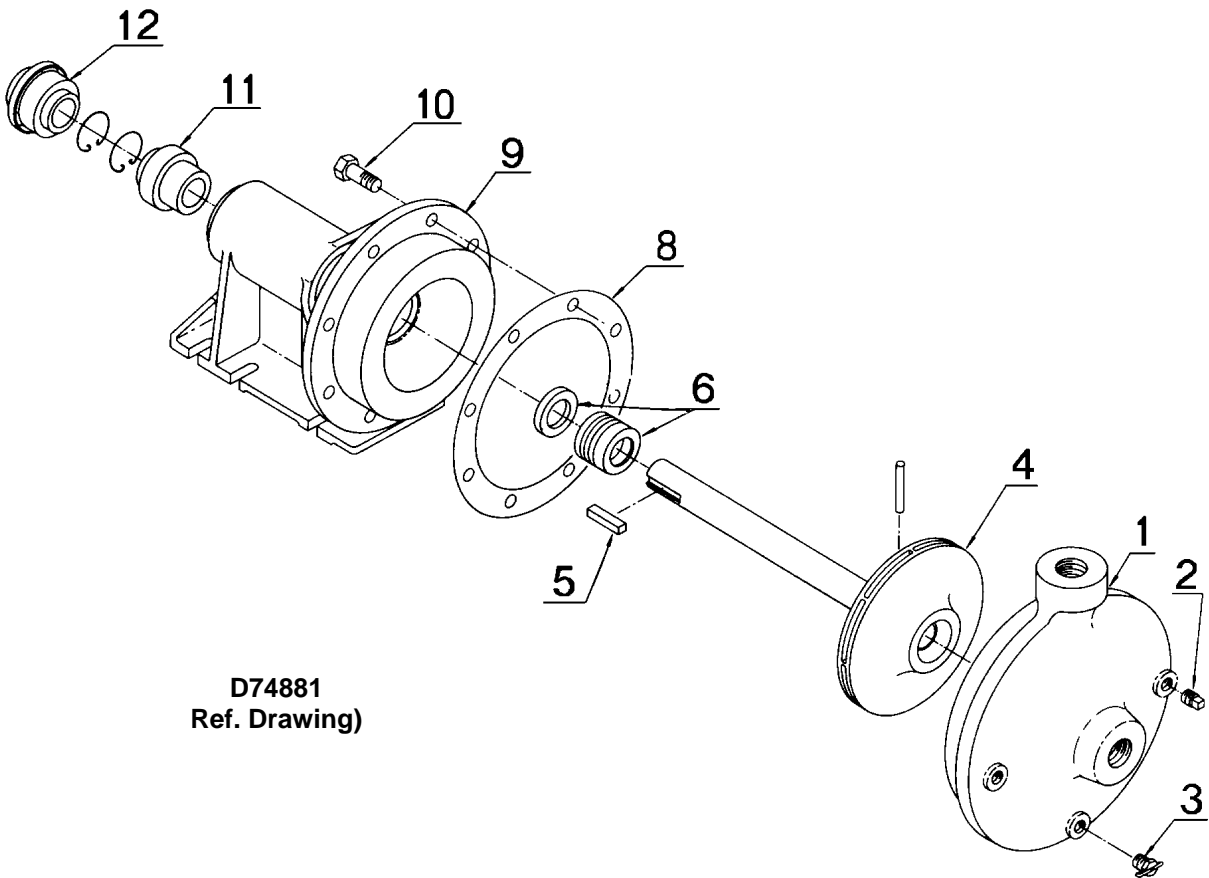
**PLUNGER WASHING PARTS
(Optional Equipment)**

Ref. No.	Name of Part	Qty.	Models TGHB_A** TGHD_A Part No.
1	SHEAVE ASSEMBLY—AUXILIARY, Includes Ref. No. 2	1	1PA1342A
2	SET SCREW, Drive	2	76F19N
3	BELT, Pump Drive	1	13N7101
4	SHEAVE, Pump Drive	1	73N13V45
5	BUSHING—HUB, Sheave	1	22E9E
6	KEY—SQUARE, Pump Drive Sheave	1	35B375
7	PUMP, Plunger Washing	1	46C14
8	SUPPORT, Plunger Washing Pump	1	PA1290
9	SCREW, Pump to Support	4	655ED070
10	PLATE—RETAINER, Pump	1	2PA1128
11	LOCKWASHER	4	95B3
12	NUT	4	50B3
13	SCREW, Pump Support and Tank to Skid	2	655EE070
14	LOCKWASHER	2	95B5
15	NUT	2	50B5
16	TANK—LUBE OIL	1	2006626
17	COVER—TANK, Plunger Washing	1	2006628
18	PLUG, Plunger Washing Tank Drain 1—1/4	2	64A7
18A	PLUG, 1"	1	64A6
18B	PLUG, 2"	1	64A9
19	PIPE—OIL SUCTION, Plunger Washing Tank Strainer	1	WAJ714
20	SCREEN—OIL, Plunger Washing Tank Strainer Pipe	1	1WAJ511
21	SPRING, Plunger Washing Tank Strainer	1	78D17
22	CAP—PIPE, Plunger Washing Tank Strainer	1	64AD4
23	ELBOW, Plunger Washing Pump Suction Reducing	2	64S2
24	NIPPLE, Plunger Washing Pump Suction	4	63AJ6X44
25	HOSE—OIL, Plunger Washing Pump Suction	60"	R14F
26	ELBOW, Feed	1	64C3
27	SCREW—MACHINE, Tank to Skid (1/2 x 1)	4	75H4
28	CLAMP—HOSE, Plunger Washing Pump Suction and Discharge	4	29B35
*	BUSHING—PIPE, Oil Suction Pipe to Tank	2	64E14
29	MANIFOLD—OIL, Feed	1	PA1255
30	CAP—PIPE, Feed	1	64AD4
31	CLAMP, Feed Pipe	2	98A17
33	CONNECTOR—TUBE, Feed Pipe	3	86E9
34	TUBE, Feed Pipe	137"	85D6B
35	NIPPLE	1	63F21
*	NUT—WING (Cover to Tank)	2	50H1
36	NIPPLE (1—1/2 x 6—1/2)	2	63AJ24X64
37	HOSE—COOLANT	2	29A305
38	CLAMP HOSE	4	29B32
39	NIPPLE (Half)	4	63AJ24X30
40	ELBOW	2	64C8
41	INSERT	2	3FO452

* Not shown.

** The parts shown on this page are OPTIONAL EQUIPMENT for Model TGHB_A.

Order by Part Number and Description. Reference Numbers are shown for your convenience only.



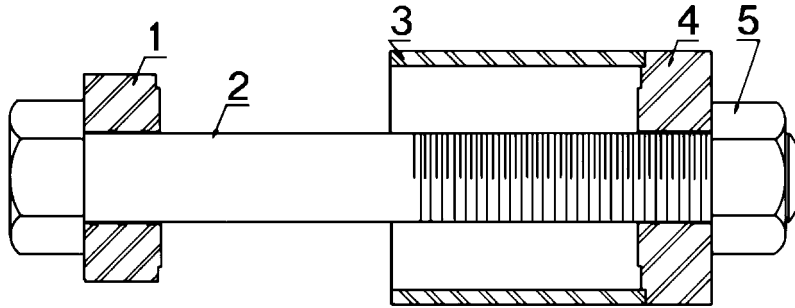
D74881
Ref. Drawing)

PISTON LUBRICATING PUMP

Ref. No.	Name of Part	Qty.	Models TGHA_A* TGHC_A Part No.
	PUMP ASSEMBLY, Includes all parts shown		CA122
1	CASING	1	C1K2A1
2	PLUG	2	64AA6
3	COCK, Drain	1	90C31
4	IMPELLER ASSEMBLY, SHAFT & PIN	1	C1K1A1A
5	KEY	1	35B4
6	SEAL	1	60BT11
8	GASKET	1	25D212
9	FRAME	1	C1H4A2
10	SCREW	8	75A130
11	BALL BEARING (Inner), Includes Retaining Ring	1	12AK3
12	BALL BEARING (Outer), Includes Retaining Ring	1	12AK3

* The parts shown on this page are OPTIONAL EQUIPMENT for Model TGHA_A.

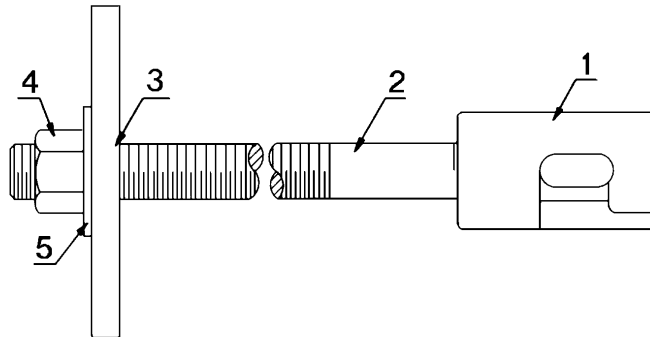
Order by Part Number and Description. Reference Numbers are shown for your convenience only.



B37973
Ref. Drawing)

CROSSHEAD PIN BUSHING PULLER (Optional Equipment)

Ref. No.	Name of Part	Qty.	Part No.
	PULLER ASSEMBLY, Includes Ref. Nos. 1 thru 5	1	FXX71964
1	PLATE	1	FXX1277
2	BOLT	2	FXX1279
3	BUSHING	1	FXX1278
4	PLATE (Head)	1	FXX1276
5	NUT, Puller Bolt	1	50T161



A56864
Ref. Drawing)

VALVE SEAT PULLER (Optional Equipment)

Ref. No.	Name of Part	Qty.	Part No.
	PULLER ASSEMBLY, Includes Ref. Nos. 1 thru 5	1	PJ219A
1	PULLER	1	PJ219
2	BOLT-PULLER	1	7AUX235
3	PLATE-PULLER	1	13AUX292
4	NUT	1	50C15
5	WASHER	1	95A22
*	JACK, Hydraulic	1	100C2**

* Not shown.

** Not included in puller assembly.

北京

信德迈科技(北京)有限公司CNMEC Technology

北京朝阳区胜古中路2号金基业大厦201室

邮编：100029

电话：010-8428 2935 13910962635

传真：010-8428 8762

主页：[//www.cnmec.biz](http://www.cnmec.biz)

电子邮件：sales@cnmec.biz

西安

西安嘉岳自动化技术有限公司Garye Automation

地址：西安经开区凤城二路天地时代广场B座23层22312室

邮编：710016

电话：029 - 8610 8648 15319759129

传真：029 - 8610 6806

主页：<http://www.garye.cn>

电子邮件：sales@garye.cn

Gardner
Denver

For additional information contact your local representative or
Gardner Denver Machinery Inc., Customer Service Department,
1800 Gardner Expressway, Quincy, Illinois 62301
Telephone: (800) 682-9868 FAX: (217) 224-7814



Sales and Service in all major cities.

For parts information, contact Gardner Denver,
Master Distribution Center, Memphis, TN
Telephone: (800) 245-4946 FAX: (901) 542-6159

Specifications subject to change without notice.
Copyright 1996 Gardner Denver Machinery Inc.

Litho in U.S.A.