

221G Series

Product Description

These 2 ways valves with 316L stainless steel body and FKM sealing offer a large possibility of applications based on a wide chemical compatibility with many fluids and environments.

This range from orifice 15mm to 25mm is suitable for pressure from 0 to 16 bar and can be associated with Atex coils.



Applications

Market of interest:

- Industrial equipment
- Life Sciences
- Food & Beverage Processing
- Commercial Equipment
- Waste Water treatment

Typical applications:

- Food & Beverage processing
- Dishwasher disinfectors, sterilizers
- Aggressive liquids & environments

Benefits

The most valuable features you will find in this product range:

- High grade corrosion resistant valve body, AISI 316L
- Modular concept: a wide range of electrical parts can be used with this family, including ATEX, low power, IP67, UL/VDE approved
- Robust and solid design based on the well known 221G brass design

General Description

Materials in contact with fluid

Valve Body, seat, cover & diaphragm holder:

AISI 316L Stainless Steel

Shading ring:

None in standard

Silver for all codes type 221G6x06

Plunger :

Ferritic Stainless Steel

Other parts:

Stainless Steel

CuBe2 for all codes type 221G6x36

Seals:

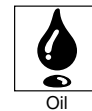
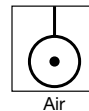
FKM

Installation

The valves can be mounted in any position. It is however recommended to install them with the coil in vertical position above the body.

Media

These valves have been developed to achieve a wide range of chemical compatibilities with 316L body material and FKM sealing . Check chemical compatibilities with the fluid.



Temperature

The ambient temperature range of the valve is -10°C to +50°C.

For Atex environments, temperature can be limited by the max ambient temperature of the coil. See coil pages.

Coils

A wide range of coils can be used with this range.

The complete coil range is described in pages 45 to 69.



How to Order

A complete solenoid valve is composed by 3 elements: the **valve body**, the **housing** and the **coil**.

Step 1: Select the valve body reference needed. **Example: 221G6306**

Step 2: Select the housing depending on the protection level. **Example: 2995**

Step 3: Select the coil ref. + voltage code. Find the voltage code in coil pages starting from page 44
Example: 481865C2

Step 5: The complete assembly numbering system is : **221G6306-2995-481865C2**

Step 4: Accessories

Din Plug Connector according to DIN EN 175301-803 Form A **48658640** (batch size = 25)

Please note: Valve can be ordered according to desired configuration: Valve body and coil separately, Valve body and coil assembled or Valve body, pipe mounting adaptation kit and coil assembled (pipe mounting version)

2/2

221G Series

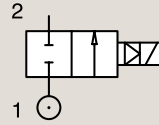
Valves for dry or lubricated air, neutral gases and liquids
Magnalift - Port size from 3/8" to 1/2" and orifice 15mm



316L Stainless St.

Pipe Mounting

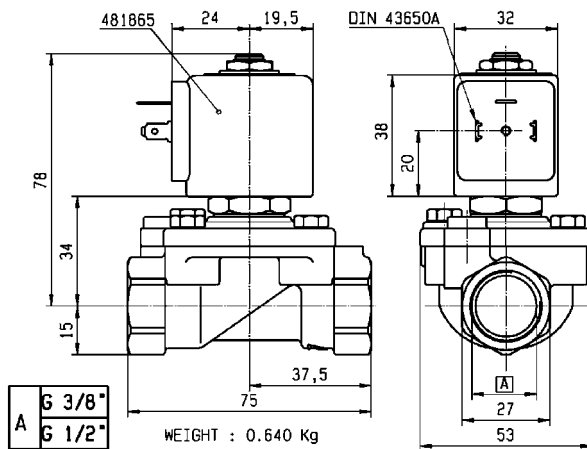
Normally Closed



Port Size	Orifice Ø mm	Flow Factors		Operating Pressure Differential			Fluid Temperature		Seat Seal	Parker Valves			IS	ATEX Zone	Protection Mode	Power		Coil Group	Dwg N°
		Kv l/min	KV m³/h	Min. Bar	Max. (MOPD) AC bar	DC bar	Min. °C	Max. °C		Valve Ref.	Housing Ref.	Coil Ref.				AC W	DC W		
3/8"	15	65	3.90	0	16	-	0	100	FKM	221G6306 ₁	2995	481865	-	-	-	8	-	2.0	3732
	15	65	3.90	0	-	6	0	60	FKM	221G6306 ₁₂	2995	492425	-	-	-	-	14	2.0	3732
	15	65	3.90	0	16	-	0	65	FKM	221G6306 ₁	2995	495870	-	2-22	Ex nAc nCc IIC T3/T4	8	-	2.0	3732
	15	65	3.90	0	16	-	0	120	FKM	221G6306 ₁	4538	481000	-	-	-	8	-	2.0	3732
	15	65	3.90	0	20	7	0	140	FKM	221G6306 ₁	4538	486265	-	-	-	14	14	2.0	3732
	15	65	3.90	0	16	-	0	80	FKM	221G6306 ₁	-	495905	-	1-21	Ex db mb IIC T4	8	-	2.0	3732
	15	65	3.90	0	-	10	-10	100	FKM	221G6336	2995	481865	-	-	-	-	9	2.1	3732
	15	65	3.90	0	-	10	-10	65	FKM	221G6336	2995	495870	-	2-22	Ex nAc nCc IIC T3/T4	-	9	2.1	3732
	15	65	3.90	0	10	10	-10	65	FKM	221G6336	-	492070	-	1-21	Ex mb IIC T4/T5	9	8	2.1	3732
	15	65	3.90	0	10	10	-10	75	FKM	221G6336	-	492190	-	1-21	Ex eb mb IIC T3/T4	11	9	2.1	3732
	15	65	3.90	0	-	10	-10	80	FKM	221G6336	-	495905	-	1-21	Ex db mb IIC T4	-	8	2.1	3732
	15	65	3.90	0	16	-	0	100	FKM	221G6506 ₁	2995	481865	-	-	-	8	-	2.0	3732
	15	65	3.90	0	-	6	0	60	FKM	221G6506 ₁₂	2995	492425	-	-	-	-	14	2.0	3732
	15	65	3.90	0	16	-	0	65	FKM	221G6506 ₁	2995	495870	-	2-22	Ex nAc nCc IIC T3/T4	8	-	2.0	3732
	15	65	3.90	0	16	-	0	120	FKM	221G6506 ₁	4538	481000	-	-	-	8	-	2.0	3732
15	65	3.90	0	20	7	0	140	FKM	221G6506 ₁	4538	486265	-	-	-	14	14	2.0	3732	
1/2"	15	65	3.90	0	16	-	0	80	FKM	221G6506 ₁	-	495905	-	1-21	Ex db mb IIC T4	8	-	2.0	3732
	15	65	3.90	0	-	10	-10	100	FKM	221G6536	2995	481865	-	-	-	-	9	2.1	3732
	15	65	3.90	0	-	10	-10	65	FKM	221G6536	2995	495870	-	2-22	Ex nAc nCc IIC T3/T4	-	9	2.1	3732
	15	65	3.90	0	10	10	-10	65	FKM	221G6536	-	492070	-	1-21	Ex mb IIC T4/T5	9	8	2.1	3732
	15	65	3.90	0	10	10	-10	75	FKM	221G6536	-	492190	-	1-21	Ex eb mb IIC T3/T4	11	9	2.1	3732
	15	65	3.90	0	-	10	-10	80	FKM	221G6536	-	495905	-	1-21	Ex db mb IIC T4	-	8	2.1	3732

Notes:

- 1. With silver shading ring
 - 2. For air, the ambient temperature is limited to +25°C, and the max fluid temperature to +40°C
- The maximum fluid temperature is given for the lower coil class temperature. See coil pages for more details.



Drawing 3732

2/2

221G Series

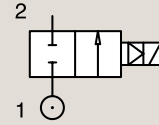
Valves for dry or lubricated air, neutral gases and liquids
Magnalift - Port size from 3/4" to 1" and orifice from 15.0mm to 25mm



316L Stainless St.

Pipe Mounting

Normally Closed



Port Size	Orifice Ø mm	Flow Factors		Operating Pressure Differential			Fluid Temperature		Seat Seal	Parker Valves			IS	ATEX Zone	Protection Mode	Power		Coil Group	Dwg N°
		Kv	KV	Min.	Max. (MOPD)	Min.	Max.	Valve Ref.		Housing Ref.	Coil Ref.	AC W				DC W			
		l/min	m³/h	Bar	AC bar	DC bar	°C										°C		
3/4"	15	80	4.80	0	16	-	0	100	FKM	221G6606 ₁	2995	481865	-	-	-	8	-	2.0	8451
	15	80	4.80	0	-	6	0	60	FKM	221G6606 ₁₂	2995	492425	-	-	-	-	14	2.0	8451
	15	80	4.80	0	16	-	0	65	FKM	221G6606 ₁	2995	495870	-	2-22	Ex nAc nCc IIC T3/T4	8	-	2.0	8451
	15	80	4.80	0	16	-	0	120	FKM	221G6606 ₁	4538	481000	-	-	-	8	-	2.0	8451
	15	80	4.80	0	20	7	0	140	FKM	221G6606 ₁	4538	486265	-	-	-	14	14	2.0	8451
	15	80	4.80	0	16	-	0	80	FKM	221G6606 ₁	-	495905	-	1-21	Ex db mb IIC T4	8	-	2.0	8451
	15	80	4.80	0	-	10	-10	100	FKM	221G6636	2995	481865	-	-	-	-	9	2.1	8451
	15	80	4.80	0	-	10	-10	65	FKM	221G6636	2995	495870	-	2-22	Ex nAc nCc IIC T3/T4	-	9	2.1	8451
	15	80	4.80	0	10	10	-10	65	FKM	221G6636	-	492070	-	1-21	Ex mb IIC T4/T5	9	8	2.1	8451
	15	80	4.80	0	10	10	-10	75	FKM	221G6636	-	492190	-	1-21	Ex eb mb IIC T3/T4	11	9	2.1	8451
1"	15	80	4.80	0	-	10	-10	80	FKM	221G6636	-	495905	-	1-21	Ex db mb IIC T4	-	8	2.1	8451
	25	160	9.60	0	16	-	0	100	FKM	221G6106 ₁	2995	481865	-	-	-	8	-	2.0	3448
	25	160	9.60	0	-	6	0	60	FKM	221G6106 ₁₂	2995	492425	-	-	-	-	14	2.0	3448
	25	160	9.60	0	16	-	0	65	FKM	221G6106 ₁	2995	495870	-	2-22	Ex nAc nCc IIC T3/T4	8	-	2.0	3448
	25	160	9.60	0	16	6	0	120	FKM	221G6106 ₁	4538	486265	-	-	-	14	14	2.0	3448
	25	160	9.60	0	16	-	0	80	FKM	221G6106 ₁	-	495905	-	1-21	Ex db mb IIC T4	8	-	2.0	3448
	25	170	10.20	0	-	10	-10	100	FKM	221G6136	2995	481865	-	-	-	-	9	2.0	3448
	25	170	10.20	0	-	10	-10	65	FKM	221G6136	2995	495870	-	2-22	Ex nAc nCc IIC T3/T4	-	9	2.0	3448
	25	170	10.20	0	-	10	-10	100	FKM	221G6136	4538	481000	-	-	-	-	8	2.0	3448
	25	170	10.20	0	-	10	-10	80	FKM	221G6136	-	495905	-	1-21	Ex db mb IIC T4	-	8	2.0	3448

Notes:

1. With silver shading ring
2. For air, the ambient temperature is limited to +25°C, and the max fluid temperature to +40°C
The maximum fluid temperature is given for the lower coil class temperature. See coil pages for more details.



Drawing 8451



Drawing 3448

