

Flow Diverter Ball Valve

Bronze

DN20 - DN50 (3/4" - 2")

The Parker Bestobell flow diverter is a quarter turn ball valve that enables quick and safe changeover between relief valves.

They ensure that the flow capacity of the valve is not reduced below that available from one fully open port, even during movement of the operating lever from one position to another. The integrity of the vessel is not threatened, even if the operator inadvertently leaves the operating lever mid-position.

The valve comprises three main components: the centre body incorporating the inlet port, ball and operating lever and the two end adaptors, which include the various outlet ports.

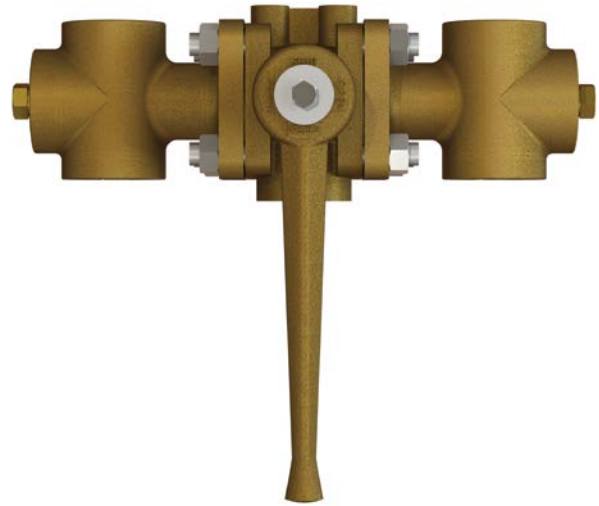
The Flow Diverter Ball Valve is designed for ease of installation, as the position of the entry port helps the system designer to fit it into the correct place. With the bottom entry valve, the inlet port is on the opposite side of the centre body from the opening lever. The front entry valve has the inlet port on the face at 90° to the operating lever.

The valve is usually at the hub of a fairly complex piping system and many variations on the basic design have evolved to suit customers' specific requirements.

All valves are degreased for oxygen duty, assembled in clean room conditions and pressure tested prior to dispatch.

Features

- 90° operation from one side to another
- Fitted to safety circuit of a storage vessel, tank or trailer
- Anti blow-out stem
- Porting indications on handle
- Handle designed to prevent attachment to valve in wrong position
- Ball machined to prevent incorrect assembly
- Drilled and tapped mounting bosses to allow rigid mounting
- Quick and simple to use
- Extremely reliable
- Three position "T"-port allows a pressurised storage vessel to be protected by two relief valves. This enables the discharge of higher volumes of gas, which in turn allows faster filling or quicker tank turnaround.



DN20 Bronze Flow Diverter Ball Valve

Maximum Working Pressure (MWP)

Subject to end connections

Up to 50 bar (725 psi) at -196°C to +65°C

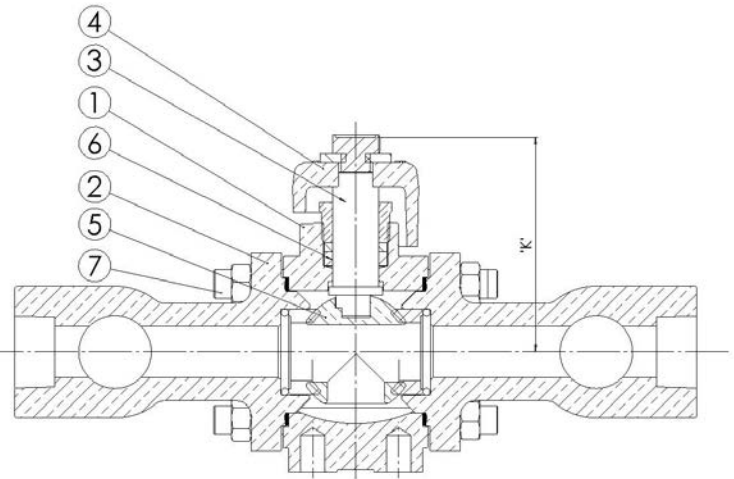
Technical

- Designed and engineered for use with Group 1 gases.
- Designed and manufactured in accordance with ASTM B31.1, BS EN 1626 and BS ISO 21011.
- Optional full material traceability backed by BS EN 10204 3.1/3.2 certification.

CE Marked according to the Pressure Equipment Directive.

Materials

	Bronze
1. Body	Gunmetal BS EN 1982 CC491K
2. End Adaptors	Gunmetal BS EN 1982 CC491K
3. Stem	HT Brass BS EN 12164 CW721R
4. Lever	Gunmetal BS EN 1982 CC491K
5. Ball	Brass
6. Seat, Gland	Virgin PTFE
7. Fasteners	Stainless Steel BS6105 A2/A4 Gr.70



Specifications

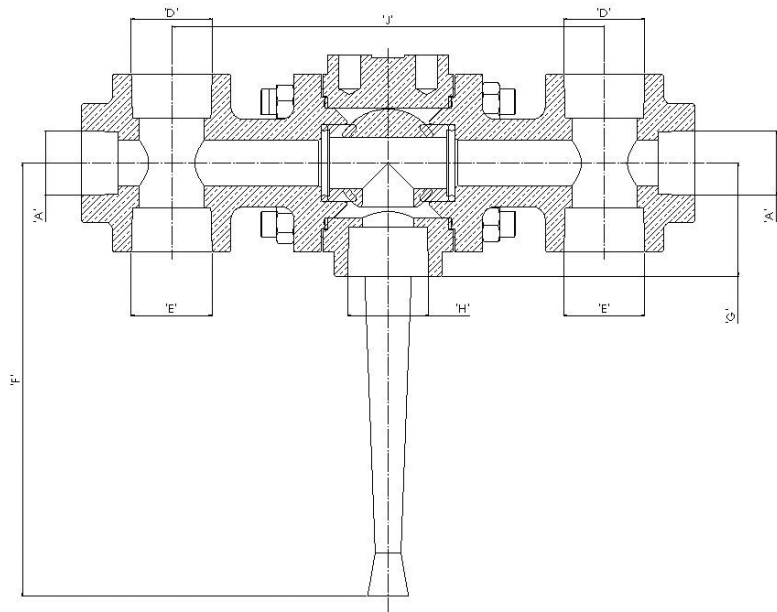
	Unit	DN20	DN25	DN32	DN50
F	mm	170	170	225	225
G	mm	44	60	67.5	95
J	mm	168	200	223	222
K	mm	75	75	75	75
Weight	kg	6	8.2	12	19
CV	US	10.8	19	31	84
	GPM	(1 port)	(1 port)	(1 port)	(1 port)

End Adaptors Configuration

The main function of the end flanges is to duct the flow from the centre body to the relief valves. In addition to this primary function however, is the subsidiary one of providing additional ports to allow connection of pressure test apparatus and/or bursting disc.

Note that the end flanges can be fitted in any one of four positions, each at 90° to the other. The operating arc of the valve lever may prevent several of these positions being used because of the 180° lever operation.

A	Outlet Connection 1
D	Outlet Connection 2
E	Outlet Connection 3
F	Lever Length
G	Inlet Length
H	Inlet Connection
J	Dimension over outlet centres
K	Stem Length



Flow Diverter Ball Valve

Bronze

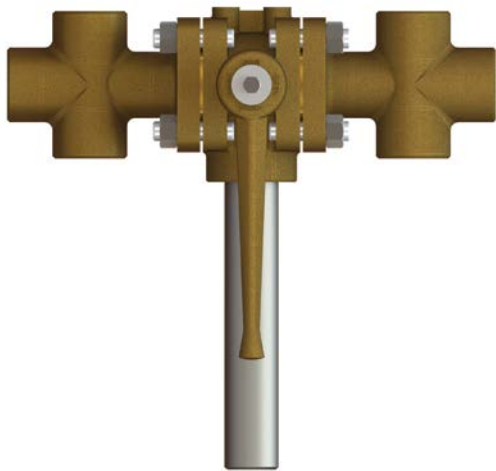
DN20 - DN50 (3/4" - 2")

How to Order

Part Number	Outlet			Inlet Connection	Entry
	Connection 1	Connection 2	Connection 3		
DN20 Diverter					
CJB40SS5ABT1T	-	3/4" PL	3/4" PL	1" NB	Bottom
CJB40TA5AAT1T	-	1/2" PL	1/2" PL		
CJB40TE5BZT1T	3/4" NPT	1" NPT	1" NPT	1"NPT	
CJF40SS5APT1T	1/4" NPT	3/4" NPT	3/4" NPT		
CJF40SS5B2T1T	-	1" PL	1" PL	1" NB	
CJF40555H4E1T	1/4" NPT Plugged	1/2" NPT	1/2" NPT		
CJF40555H6E1T		1" TR	1" TR		
CJF40TA5AKE1TVA	1/2" PL Plugged	3/8" PL Plugged	3/4" PL	1"PL	Front
CJF40TC5B8E1TVA	3/4" TR Plugged	1/4" NPT	3/4" TR	1" TR	
CJF40TE5APT1T	1/4" NPT	3/4" NPT Plugged	3/4" NPT	1" NPT	
CJF40TE5BEE1TVA	-				
CJF40TE5BFE1TVA	-	1/2"NPT Plugged	1/2" NPT		
CJF40TH5B8E1TVA	-	1/2" PL	1/2" PL	M40/2	
DN25 Diverter					
CJF50TE5APE1T	1/4" NPT	3/4" NPT	3/4" NPT	1"NPT	Bottom
DN32 Diverter					
CJF60SS7BEE1T	-	1 1/4" TR	1 1/4" TR	1 1/2" NB	Front
CJF60SS7CHE1T	1/4" NPT	3/4" NPT	1" NPT		
CJF60SS7CJEITQ5	-	1" TR	1" TR	1 1/2" NPT	
CJF60SS7CLE1T	1/4" NPT	1" NPT	1" NPT		
CJF600SS7CLE1T		1" NPT	1" NPT		
CJF60TC6BE1T	-	1 1/4" TR	1 1/4" TR	1 1/2" TR	
CJB60TE6C9E1T	1 1/2" NPT	-	-	1 1/2" NPT	Bottom

Part Number	Outlet			Inlet Connection	Entry
	Connection 1	Connection 2	Connection 3		
DN50 Diverter					
CJB80TA6E4T1T	3/8" TR	1 1/4" PL	1 1/4" PL	1 1/2" NB	Bottom
CJB08TA6EDT1T		1 1/2" PL	1 1/2" PL		
CJB80TC7FGE1T	-	1" TR	1" TR	2" TR	
CJF80SS6F4TITQC	1/4" TR		1 1/4" TR	1 1/2" NB	
CJF80TC7EPEITVA	3/4" TR Plugged	1/4" NPT Plugged		2" TR	Front
CJF80SS7F2T1T	-	2" TR	2" TR	2" NB	
CJF807FDEITVA	1" TR Plugged	1/4" NPT Plugged	3/4" NPT		
CJF80TC7F6E1T	3/4" TR	1/4" NPT	3/4" TR	2" TR	
CJF80TC7EDE1T	-	1 1/2" TR	1 1/2" TR		

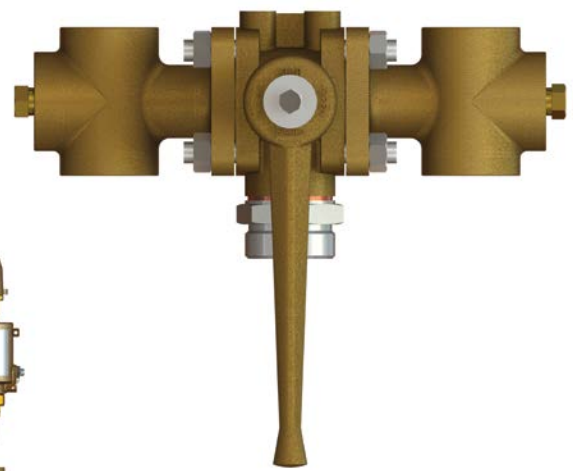
Please contact us for other options.



DN50 with Stainless Steel Inlet Tube



DN20 (1" Coupling) with Safety Relief Valves



DN50 with Stainless Steel Inlet Adaptor