

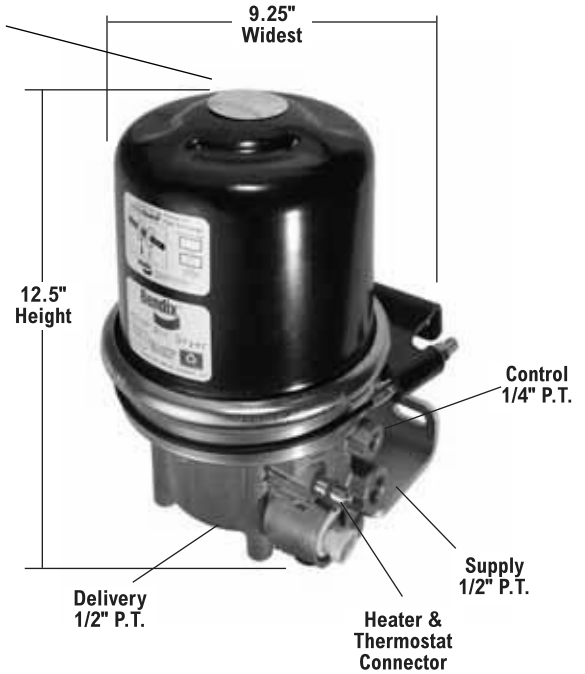
Bendix® AD-IP® Air Dryer

• Integral Purge Air Dryer

V.M.R.S. 13-010-033

Description	Pc. No.
Cartridge Bolt Kit	109498
Desiccant Cartridge Service New	065624
Desiccant Cartridge Remanufactured	109493X
Bendix® PuraGuard® Coalescing Cartridge Kit - Service New	065624PG
PuraGuard Coalescing Cartridge Kit - Reman Exchange	109493PGX
Delivery Check Valve Kit	109494
Exhaust Cover Kit	5011327
Extended Purge Kit 3/8" U-Bolt; 90in ³ Reservoir	5012561N
Extended Purge Kit 3/8" U-Bolt; 288in ³ Reservoir	5008972N
Extended Purge Kit 1/2" U-Bolt; 90in ³ Reservoir	5005309N
12 Volt Heater & Thermostat Kit	109495
24 Volt Heater & Thermostat Kit	109496
Mounting Bracket Kit	5001247
Silencer Kit	K021189
Wiring Harness & Splicing Kit	109871N

Bendix® PuraGuard® Medallion - Indicates use of PuraGuard Oil Coalescing Cartridge



For purge valve kits see the Bendix® AD-IS® and AD-IP® Air Dryer Purge Valve Maintenance Kit section of this catalog.

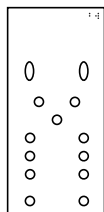
Service New Pc. No.	Reman. Exch. Pc. No.	Supply Port	Delivery Port	Heater & Thermo. Volts-Watt	Comments
065612	109477X	1/2" PT	1/2" PT	12v - 90w	Notes 2, 3, 4
065613	109478X	1/2" PT	1/2" PT	24v - 90w	Notes 2, 3, 4
065693	109503X	1/2" PT	1/2" PT	12v - 90w	Notes 1, 2
800089	5000985X	1/2" PT	1/2" PT	12v - 90w	Notes 2, 3, 4
800618	5006234X	1/2" PT	1/2" PT	24v - 90w	Notes 2, 3, 4, 5
800576	5005556X	1/2" PT	1/2" PT	12v - 90w	Notes 2, 3, 4, 5



Bendix® AD-IP® Drop-In Air Dryer

Notes:

1. No upper or lower mounting bracket.
2. 12 & 24 volt air dryers are identified by connector color - White = 12v, Gray = 24v
3. Center to center of slots in both mounting brackets 5.64 inches
4. Includes 5001247 (mounting bracket kit)
5. Extended Purge



Universal Mounting Plate

Pc. No. 113209
(Can be used to mount any Bendix® air dryer to vehicle)



Exhaust Cover Kit 5011327



Wire Harness Assembly
(Use Kit 109871N)

Bendix® AD-IP® Drop-In Air Dryer

Service Pc. No.	Reman Pc. No.	Supply Port	Delivery Port	Heater & Thermo. Volts-Watt	Comments
800067	5000709X	1/2" PT	1/2" PT	12v - 90w	Notes 1, 2, 3

Notes:

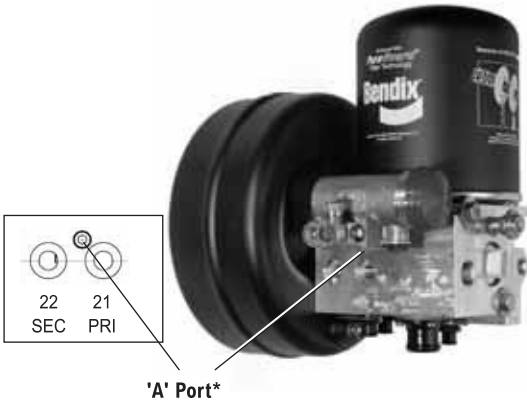
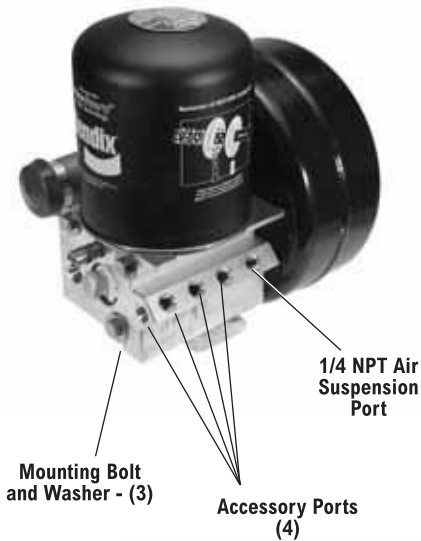
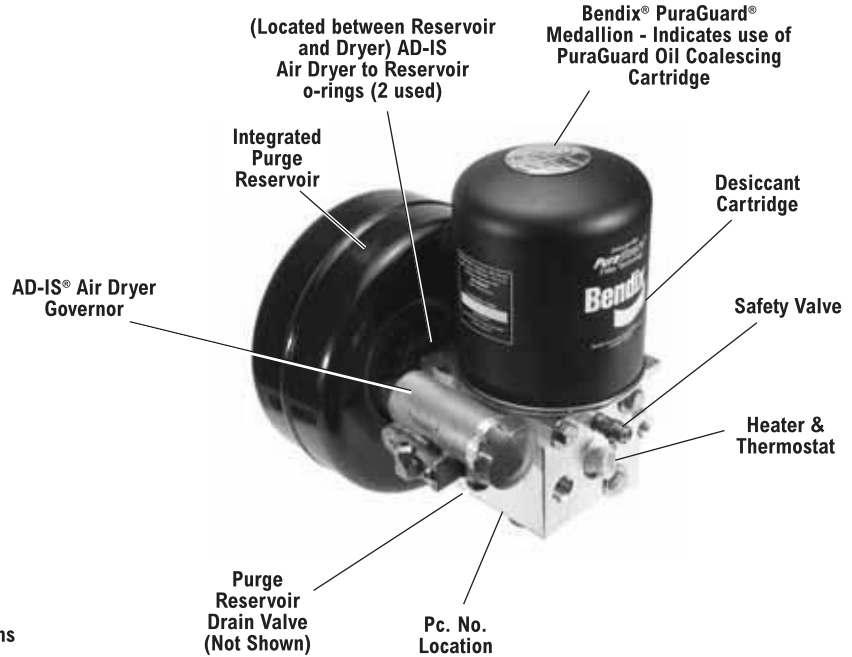
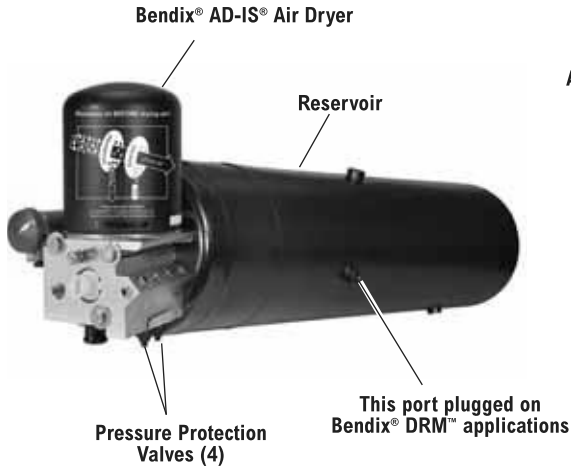
1. All replacement air dryers include 5001247 (mounting bracket kit).
2. 12 & 24 volt air dryers are identified by connector color - White = 12v, Gray = 24v
3. Includes Drop-In Check Valve Kit

IMPORTANT: If the Bendix® PuraGuard® oil coalescing cartridge is replaced, it must be replaced with a like unit.

Bendix® AD-IS® Air Dryer

- Spin on cartridge

V.M.R.S. 13-010-033



*Bendix AD-IS air dryers with a plugged port 'A' can not be interchanged with those that do not have a port in this location.

KITS AND SERVICE PARTS

Delivery Check Valve Replacement Kit	5004052
Desiccant Cartridge Replacement Kit	5008414
Integrated Bendix® PuraGuard® Coalescing Desiccant Cartridge Service New Kit	5008414PG
Drain Valve	5004961N
Governor and Check Valve Replacement Kit.	5004049
Governor Gasket	5007834
Heater & Thermostat Replacement (12 volt)	109495
Heater & Thermostat Replacement (24 volt)	109496
Mounting Bolt Kit	5009233
Protective Boots (for pressure protection valves)	5005163
Safety Valve	800350
Splash Shield Kit (includes bracket and cover)	5006698
Splash Shield Cover.	5005266N
Silencer Kit	K021189
Wiring Harness & Splice Kit	109871N

Specialty Kits

Adapter Block and Check Valve Kit	5011033
Delivery Check Valve Kit for Adapter Block	5011034
Exhaust Cover Kit for Purge Valve.	5011327
Governor (KB low range) and Check Valve Kit	5010935

Notes:

1. For purge valve kits see the Bendix® AD-IS® and AD-IP® Air Dryer Purge Valve Maintenance Kits section of this catalog.
2. There are no kits available for the pressure protection valves. These are not serviceable items - see warning below.

IMPORTANT: If the Bendix® PuraGuard® oil coalescing cartridge is replaced, it must be replaced with a like unit.

WARNING:

Do not attempt to adjust or service the Pressure Protection valves. Incorrect pressure protection valve settings can result in automatic application of vehicle spring brakes without prior warning.



Pc. No. on AD-IS® Air Dryer (Ref.)	'A' Port*	Service Pc. No.	Reman Pc. No.	Primary Port	Primary Port Opening Pressure	Secondary Port	Secondary Port Opening Pressure	Accessory Ports Opening Pressure	Suspension Port Opening Pressure	Heater Voltage (90 Watt)	Comments
5005921 (Note 2)	—	800959	5008871X	1/2" PTC	103psi	1/2" PTC	109psi	55psi	85psi	12	GMT560-C (obsolete)
5008296 (Note 2)	Plugged	801145	5010104X	1/4" NPT	106psi	1/4" NPT	106psi	106psi	106psi	24	Orion Bus
5008925 (Note 2)	—	—	5008871X	1/2" PTC	103psi	1/2" PTC	109psi	55psi	85psi	12	GMT560-T (obsolete)
5010134	Plugged	801147	5010133X	1/4" NPT	106psi	1/4" NPT	106psi	106psi	106psi	12	Generic 12V
5010135	Plugged	801147	5010133X	1/4" NPT	106psi	1/4" NPT	106psi	106psi	106psi	12	Generic 12V
5010212	Plugged	801164	5010211X	1/4" NPT	106psi	1/4" NPT	106psi	106psi	106psi	24	Generic 24V
5010213	Plugged	801164	5010211X	1/4" NPT	106psi	1/4" NPT	106psi	106psi	106psi	24	Generic 24V
5010694 (Note 1)	Plugged	801266	5010696X	1/4" NPT	103psi	1/4" NPT	109psi	109psi	109psi	12	Peterbilt
5010900	Plugged	810301	5010924X	1/4" NPT	103psi	1/4" NPT	103psi	103psi	109psi	12	DLU Operation
5015533	Plugged	801266	5010696X	1/4" NPT	103psi	1/4" NPT	109psi	109psi	109psi	12	Kenworth
5015534	Plugged	801266	5010696X	1/4" NPT	103psi	1/4" NPT	109psi	109psi	109psi	12	Kenworth
5016364 (Note 2)	Plugged	802191	—	1/4" NPT	106psi	1/4" NPT	106psi	106psi	106psi	12	International
5016420 (Note 2)	—	802174	5008871X	1/2" PTC	103psi	1/2" PTC	109psi	55psi	85psi	12	GMT560-C (obsolete)
5016421 (Note 2)	—	802174	5008871X	1/2" PTC	103psi	1/2" PTC	109psi	55psi	85psi	12	GMT560-T (obsolete)

Notes:

1. Contains three Accessory ports - all other Bendix® AD-IS® air dryers shown have 4 Accessory ports.
2. Bendix AD-IS® air dryer has 1/4" NPT auxiliary inlet port.

Bendix® AD-IS® and AD-IP® Air Dryer Purge Valve Maintenance Kits

Original Kit Piece Number	Description	Configuration / Installation	Replacement Kit Piece Number
800404	Purge Valve Assembly Kit for climate conditions above -40°C (-40°F)	Bendix® AD-IS® / AD-IP® Air Dryer	K022105
		AD-IS/ AD-IP EverFlow® Air Dryer Modules AD-IP Drop-In Air Dryer	K031560
5017687	Arctic Purge Valve Assembly Kit for climate conditions between -40°C to -50°C (-40°F to -58°F)	AD-IS / AD-IP Air Dryer	K031559
		AD-IS / AD-IP EverFlow Air Dryer Modules AD-IP Drop-In Air Dryer	K031561
5009650	Purge Valve Assembly Kit for climate conditions above -40°C (-40°F)	Bendix® AD-IP® Air Dryer Discharge Line Unloader	K031562
5017682	Arctic Purge Valve Assembly Kit for climate conditions between -40°C to -50°C (-40°F to -58°F)	AD-IP Air Dryer Discharge Line Unloader	K031563
5003547	Purge Valve Maintenance Kit for climate conditions above -40°C (-40°F)	Purge valve maintenance kits will no longer be offered. Select the appropriate purge valve assembly kit from those shown above that best matches your application.	
5017683	Arctic Purge Valve Maintenance Kit for climate conditions between -40°C to -50°C (-40°F to -58°F)		

Bendix® DRM™ Dryer Reservoir Module with Bendix® AD-IS® Air Dryer

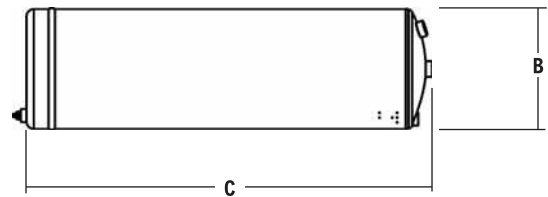
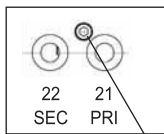


Figure 1

Bendix® AD-IS® Air Dryer used on Bendix® DRM™ Dryer Reservoir Module

AD-IS® Service New Pc. No.	AD-IS® Reman. Exch. Pc. No.	Pc. No. on AD-IS® Air Dryer (Reference)	'A' Port* Plug	Suspension Port	Accessory Ports (Qty.)	Heater Voltage (90 Watt)
800383	5004050X	5003424	without	1/4" NPT	1/4" NPT (4)	12
800838	5008332X	5007593	without	1/4" PTC	1/4" NPT (3) 3/8" PTC (1)	12
801100	5009483X	5009232	without	1/4" NPT	1/4" NPT (4)	12
801330	5011075X	5011074	without	none	none	12
801324	-	5011041	without	1/4" PTC	1/4" NPT (3) 3/8" PTC (1)	24

Bendix® PuraGuard® Medallion - Indicates use of PuraGuard Oil Coalescing Cartridge



'A' Port



Service and Remanufactured Bendix® AD-IS® air dryers do not include Bendix® DRM™ Reservoirs or Purge Volume Reservoirs.

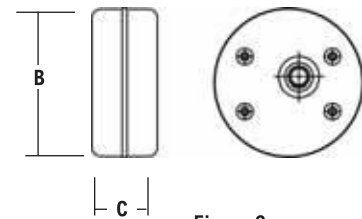


Figure 2

*Bendix® AD-IS® air dryers with a plugged port 'A' can not be interchanged with those that do not have a port in this location.

Reservoirs for Bendix® DRM™ Dryer Reservoir Module

Service New Pc. No.	'B' Dia.	'C' Length	Number of Compartments	Comments	Figure
5005313N	9"	53.5"	2	Steel	1
5009107N	9"	55.5"	2	Aluminum	1
5007588	9"	26"	3	Steel	1
5008939N	9"	29.8"	2	Steel	1
5009569N	12"	56.1"	3	Steel	1
5011548N**	9"	53.5"	3	Steel	1

**for use on vehicle with FreedomLine transmission & has an integral 610 in³ chamber

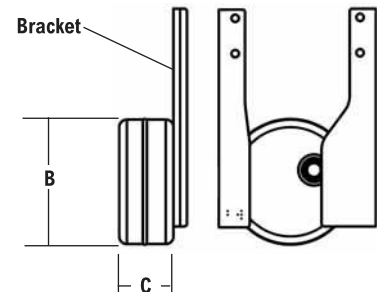


Figure 3

Purge Volume Reservoirs

Service New Pc. No.	'B' Dia.	'C' Length	Volume (Cubic Inches)	Mounting Bracket	Figure	Comments
5009028N	9"	6"	300	4 Hole SAE Mtg.	2	Extended Purge
5008574	9"	3.9"	200	4 Hole SAE Mtg.	2	Standard
5011292	9"	3.9"	200	Included	3	Standard

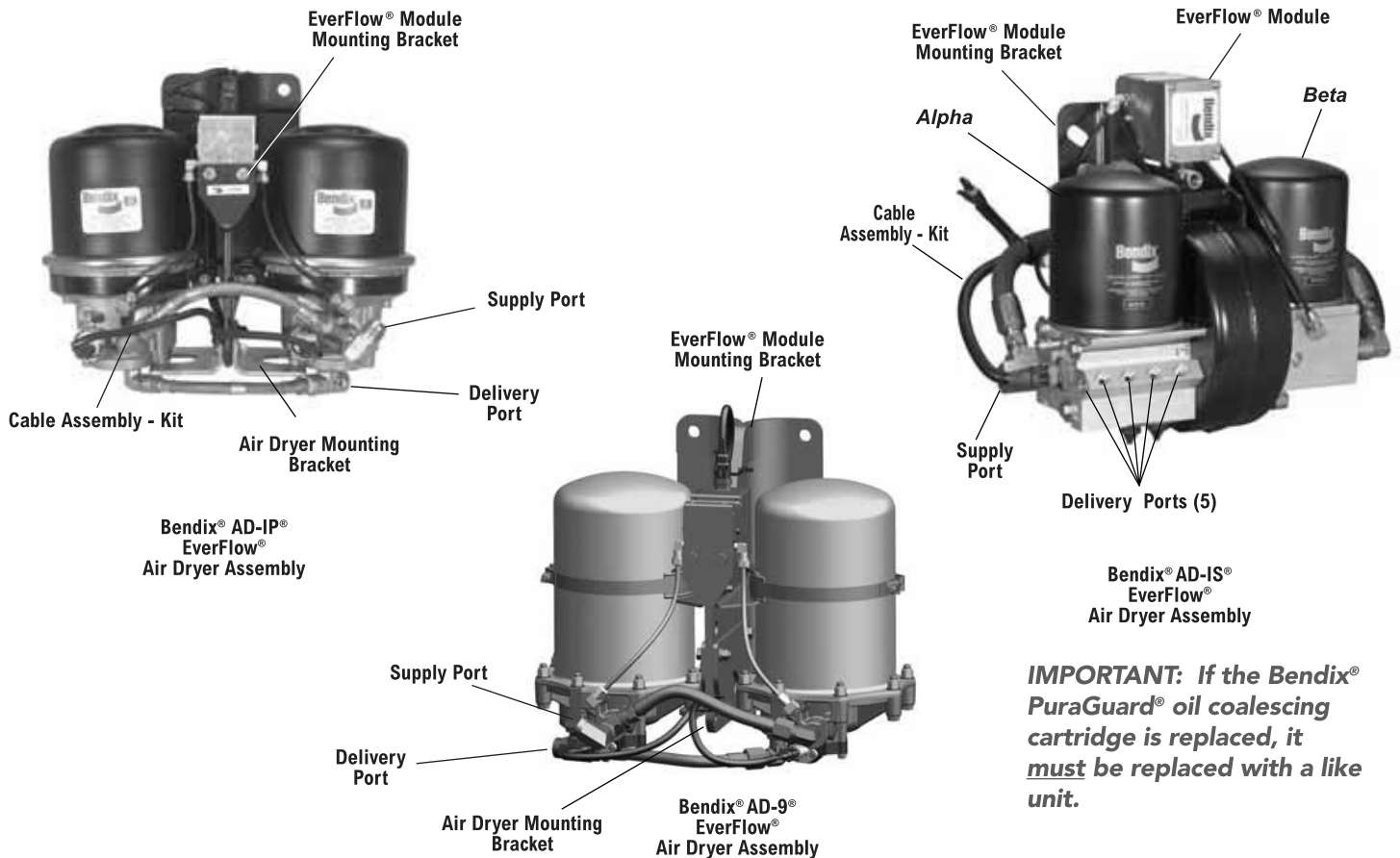
PTC = Push-to-Connect

IMPORTANT: If the Bendix® PuraGuard® oil coalescing cartridge is replaced, it must be replaced with a like unit.

Bendix® EverFlow® Module Assembly

Service New Pc. No.	Voltage	Air Dryer				Bendix® EverFlow® Module			Supply & Delivery Port Location
		Type	Service New Pc. No.	Reman. Exch. Pc. No.	Mounting Bracket	Module	Mounting Bracket	Cable Assembly Kit	
801032	12	AD-9®	065650	109689X	5009610	800685	5008483	5008484	Shown
800801	12	AD-IP®	065693	109503X	5001247	800685	5008483	5008484	Shown
801288	24		065613	109478X		800722			
802121	12	AD-IS®	802114 alpha	DNA	5017324	800685	Part of Dryer Bracket	5015949	Shown
802537			802115 beta						Opposite

For model specific service kits see the individual air dryer page.



IMPORTANT: If the Bendix® PuraGuard® oil coalescing cartridge is replaced, it must be replaced with a like unit.

Bendix® EverFlow® Air Dryer Module

Retrofit Kit* Service New Pc. No.	Service New Pc. No.	Voltage
800684	800685	12 V
800723	800722	24 V

*Includes EverFlow® module & hardware – does not include air dryers.

